

PARTS INCLUDED

Ref.	Part Number	Description	Qty
1)	00-200-01105	Aluminum Muffler Assembly	1
2)	00-200-01743	Headpipe Assembly	1
3)	00-200-01744	Midpipe Assembly	1
4)	04-18-41817	Inner Mounting Spacer (Large)	1
5)	04-18-42590	Outer Mounting Spacer (Small)	1
6)	01-5210125070-27	M10-1.25x70mm Hex Flange Head Cap Screw	1
7)	07-41-40004	Short Swivel Spring	1

19-3618-123-02

SLIP-ON EXHAUST, SS/ALUMINUM

KAWASAKI NINJA 250
2008-2012

TOOLS REQUIRED

Ref. Description

- 1) 3/8" Drive Ratchet
- 2) 3" Extension
- 3) 12mm Socket

Ref. Description

- 4) 14mm Socket
- 5) 5mm Allen Wrench
- 6) High-Temp Silicone sealer

REMOVAL/ INSTALLATION INSTRUCTIONS

- 1) Start by disconnecting the right side turn signal. (Figure #1)
- 2) Remove all hardware securing the right side and front fairings. Carefully remove the fairings from the bike.
- 3) Remove the 5mm allen bolts for the front of the heat shield. (Figure #2)
- 4) Remove the hose clamps on the front and rear of the heat shield. Then loosen the band clamp on the front of the muffler. (Figure #3)
- 5) Remove the 14mm bolt securing the muffler. Remove the muffler from the bike.
- 6) Loosen and remove the four 12mm nuts on the head flanges. Retain the nuts for the new system.
- 7) Remove the 10mm nut and bolt from the midpipe hanger bracket. Retain all hardware for the new system. Remove the stock exhaust system. (Figure #4)
- 8) Carefully remove the factory copper gaskets from the stock header. Work your way around evenly using a small flat tip screw driver or thin tool to avoid damaging them. (Figure #5)
- 9) Carefully slide the copper gaskets over the new header tubes.
- 10) Install the new header onto the studs using the four stock nuts. Leave the nuts loose at this time.



19-3618-123-02

SLIP-ON EXHAUST, SS/ALUMINUM

KAWASAKI NINJA 250
2008-2012

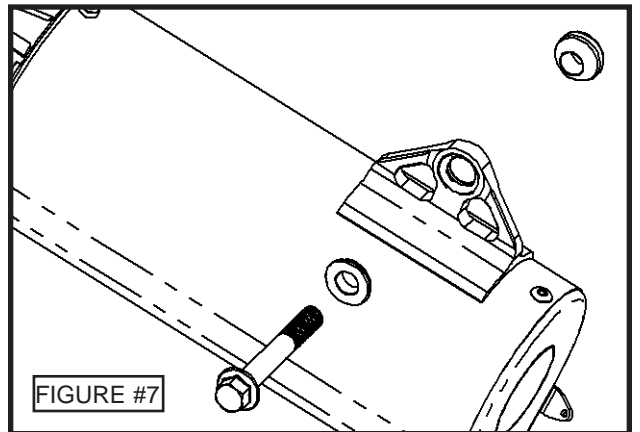
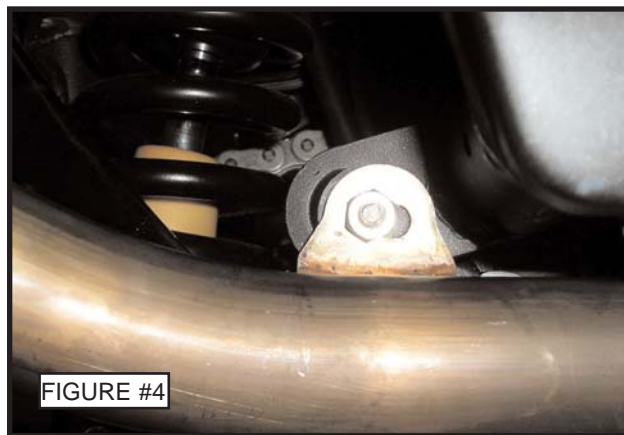
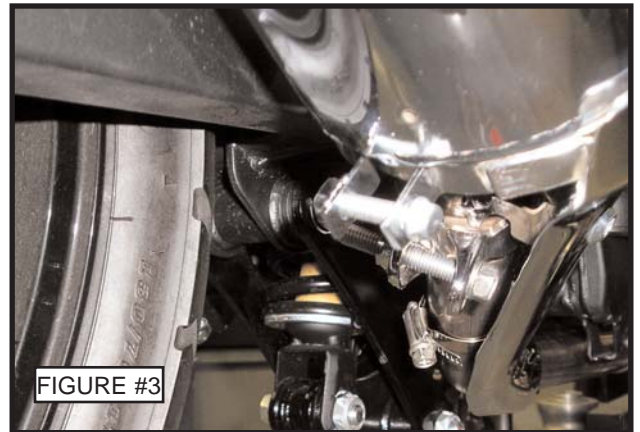
11) Slide the new midpipe over the header assembly and mount it to the bike using the stock hardware. (Figure #6)

12) Install the new muffler over the slip-on tube. Connect the two using the supplied swivel spring.

13) Bolt the muffler to the bike using the supplied bolt, with the smaller spacer mounted to the outside of the muffler bracket and the large spacer to the inside of the muffler bracket. Then screw the bolt into the stock nut. (Figure #7)

14) When you are satisfied with the positioning, tighten all the header bolts, midpipe bolt and muffler bolt.

15) Reinstall the fairings and reconnect the turn signal.



Jardine

PERFORMANCE PRODUCTS

Terms & Conditions

Returns: All requests for product returns must be made within 30 days from date of purchase. The return has to have a Return Material Authorization (RMA) number from Jardine and must include a copy of the original purchase invoice. Customer pays for the return freight and Jardine will exchange product or process a credit to your account. All returns must be in the original packaging to be eligible for any credit or exchange. Any return sent C.O.D. will not be accepted. Special order sales are final and may not be returned.

All warranty claims must be made through your point of purchase.

Limited Warranty: Jardine's warranty extends to the original purchaser only and a copy of the sales receipt must be provided. Keep your receipts. Jardine products are warranted against defective materials and workmanship for a period of 1 year from date of original customer purchase and to the original customer only. Proof of purchase is required. Any non-defective, unopened, unused, not installed item may be returned within seven working days of receipt and will be subject to a 15% restocking / repackaging fee. Bluing and / or discoloration of chrome exhaust systems / products are not covered. Contact the Jardine Customer Service Department directly at 216-265-8400 to obtain a Return Material Authorization (RMA) number prior to return of product. Authorized product will be repaired or returned at Jardine's discretion. Jardine is not responsible for any other expenses, including labor for removal of defective parts incurred by the customer under the terms of this warranty. Nor shall Jardine be responsible for any damages whether consequential, special, contingent or otherwise, or expenses or injury arising from the use of Jardine products. A detailed copy of Sale Terms, Conditions and Warranty information is available at request.

Jardine and Jardine Performance Products are registered trademarks of SuperTrapp Industries, Inc. and may not be used without consent from SuperTrapp Industries, Inc. SuperTrapp Industries, Inc. retains all marketing rights to its products and trademarks.

Jardine Performance Products is manufactured by SuperTrapp Industries, Inc. in Cleveland, OH. Our exhausts, highway bars, backrests, fender kits & accessories for V-Twin, Metric, Sport & Dirt applications are made in the U.S.A. Jardine has been manufacturing performance products since 1959.

E: Jardine@SuperTrapp.com

www.JardineProducts.com

TECH: (216) 265-8400

REV: A 9-12-13