

## USE AND WARRANTY DISCLAIMER

SuperTrapp Industries, Inc. of 4540 W. 160th Street, Cleveland, Ohio 44135 (SuperTrapp), warrants its SuperTrapp products against defects in factory materials and workmanship for one year from the date of purchase or until ownership in the product is transferred, whichever occurs first, subject to limitations below.

Under this warranty, SuperTrapp will repair or replace defective, covered parts, at option, or provide a replacement unit. SuperTrapp makes no warranty with respect to components of the SuperTrapp product not manufactured by SuperTrapp, including, but not limited to the following: clamps, nuts, bolts, packing, boots and hoses. Repair by SuperTrapp or replacement are the exclusive remedies under this written warranty or any implied warranty. SuperTrapp will not pay for the cost of removal or re-installation of the unit from any vehicle or for delivery and pick up of the unit. To obtain service under this warranty, the original purchaser must give specific written notice to his or her dealer within fifteen (15) days after discovery of any claimed defect in the unit, and must return such unit to the dealer within a reasonable time thereafter at the cost of the original purchaser.

This limited warranty is the only express warranty applicable to SuperTrapp product. Any implied warranty of merchantability or fitness for a particular purpose is limited in duration to the duration of this written warranty. Some states do not allow limitations on how long an implied warranty lasts, so the above limitation may not apply to you.

SuperTrapp shall not be responsible for any consequential, special or incidental damages of any nature including but not limited to the loss of use of any vehicle on which the unit may be installed and the cost of obtaining another substitute product. Some states do not allow the exclusion or limitation of incidental or consequential damages so this limitation or exclusion may not apply to you.

This warranty is valid only if proper size of the unit is installed, operated and maintained in accordance with factory instructions. This warranty does not cover any damage caused by (i) modification or alteration of the unit; (ii) improper installation, maintenance, operation or use; (iii) accident; (iv) servicing or repair by anyone other than SuperTrapp or its authorized agents.

**CAUTION!** Warranty does not cover chrome discoloration. You can minimize this problem by thoroughly cleaning and polishing the system before initial start-up, being sure the fuel mixture is not too lean, and preventing long periods of engine idle.

This warranty gives you specific legal rights and you may also have other rights which vary from state to state. Outside the United States, a different warranty may apply. For details, please contact your authorized SuperTrapp distributor.

*Since 1975, SuperTrapp has built a reputation on innovation and technical superiority. SuperTrapp® R&D is constantly designing, testing and improving; providing you with the latest in state of the art performance engineering. SuperTrapp® products are absolutely the best performance items available. They will provide years of trouble-free service.*

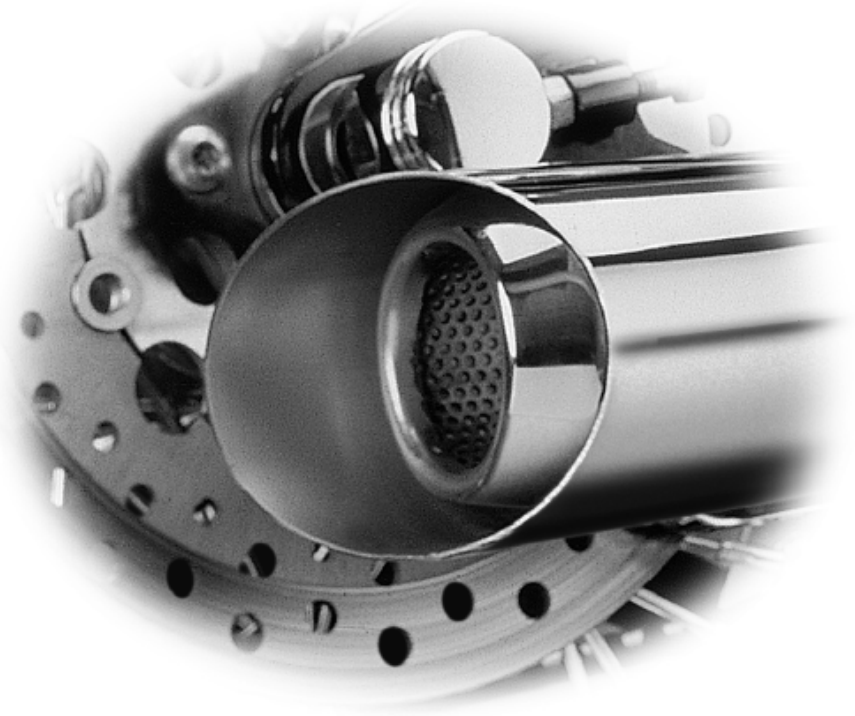
SuperTrapp® Industries, Inc.  
4540 W. 160th St. Cleveland, OH 44135  
Phone: (216) 265-8400 fax: (216)265-0130



003-7183 05.12.10



## Installation Instructions



## Kerker SuperMeg 2:1

**128-71580** Chrome 2:1 For Harley-Davidson® FLH/FLT  
Touring® Models

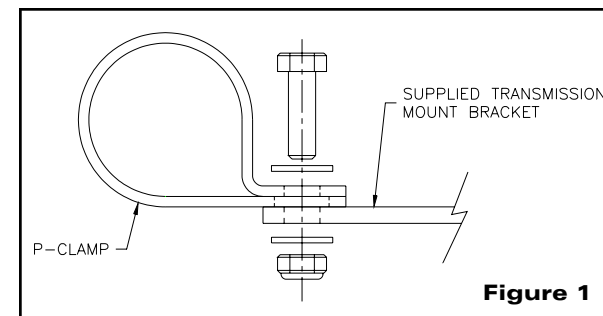
**127-71580** Black 2:1 For Harley-Davidson® FLH/FLT  
Touring® Models

## REMOVAL OF STOCK SYSTEM:

1. Remove the stock exhaust system as described in your service manual. Retain the flange nuts for the new system installation.
2. Remove the right side floorboard and retain for new system installation.
3. Remove the stock snap rings and flanges from the head pipes and retain for the new system installation.
4. Remove the oxygen sensors from the front and rear head pipes and retain for new system installation.
5. Remove stock transmission mount bracket retain bolts for new system installation.
6. The exhaust gaskets should be replaced to achieve a proper fit and seal. Replacement gaskets are available from your Harley-Davidson dealer, part number 65324-83A.

## SYSTEM INSTALLATION:

1. Slide the supplied P-clamp over the front head pipe .
2. Install stock flanges on both head pipes.
3. Apply a **very light coating** of anti-seize to the threads of the oxygen sensors and install in new head pipes. (**\*VERY IMPORTANT\*** Apply anti-seize to the threads of the oxygen sensor **ONLY**. Contamination of the sensor probe can adversely affect engine performance.)  
**NOTE:** *The oxygen sensor connectors are color coded for proper installation. The GRAY connector is for the FRONT head pipe sensor and the BLACK connector is for the REAR head pipe.*
4. Install supplied transmission mount bracket in stock location using stock bolts. **DO NOT TIGHTEN.**
5. Mount the head pipes using the stock nuts. **DO NOT TIGHTEN.**
6. Align the P-clamp to the supplied transmission mount point and install supplied 5/16"x1" bolt with flat washers and nylock nut , supplied. (**See Figure 1**)
7. Slide the T-bolt clamp, supplied, onto the inlet end of the muffler. Slide the muffler onto the outlet end of the head pipe. **DO NOT TIGHTEN CLAMP.**
8. Attach the muffler to the stock muffler support using 5/16"bolts, lock washers, and square nuts, supplied. Tighten both bolts. NOTE: Slide a small flat blade, screwdriver between the nut and bracket to keep the nut from spinning while tightening.
9. Tighten the rest of the hardware. Start by aligning the head pipes and tightening the flange nuts, then the transmission mount bracket and P-clamp, and finally the T-bolt clamp on the muffler inlet.
- 10.Reconnect oxygen sensors to wiring harness.
- 11.Re-install the floorboard using stock mounting hardware. Tighten to factory specifications.



## HEAT SHIELD INSTALLATION:

1. Slide the hose clamps into the slots on the back of each shield. Orient the clamps to gain the easiest access to tighten them while in position on the head pipe.
2. Install the heat shields on the head pipes and collector. The tabs on the front of the collector shield must fit into the clips on the end of the front and rear shields.
3. Tighten the shields starting with the rear shield, then the collector shield, and finally the front shield. Align the shields as you tighten to minimize the gap between the head pipe and collector shields.

**IMPORTANT: CHECK AND RETIGHTEN ALL FASTENERS AFTER THE FIRST COUPLE OF RIDES, THEN AT EACH SCHEDULED MAINTENANCE.**

## TUNING TIPS:

For maximum performance gains, we suggest using a free-flowing air filter kit with this exhaust system. As always, making performance modifications may affect the fuel delivery system of your motorcycle. It is recommended by Supertrapp to have your fuel delivery system tuned to ensure maximum performance and reliability. This work should always be performed by a certified technician.

We **DO NOT** suggest removing the muffler packing material to "get more noise". Removing the packing will result in a loss of power, discoloration of the muffler finish, and potential failure of the mechanical core components.