

ACCESSORIES & REPLACEMENT PARTS

When ordering accessories or replacement parts you may need the part number of this silencer. Please record the part number and date of manufacture here.

Part No. _____ Date of Manufacture _____

| | |
|-----------------------|----------|
| High Temp Lube | 090-2622 |
| Disc Pack (6 Discs) | 304-6506 |
| Repack Kit with Badge | 301-0835 |

CUSTOMER SERVICE

Call Dealership or point of purchase in which the exhaust was purchased for questions on returns, repairs, or fit and finish of SuperTrapp products.

Call SuperTrapp Customer Service for technical questions between 8am-5pm Eastern Time, (216) 265-8400, or by fax, (216) 265-0130.

LIMITED WARRANTY

SuperTrapp Industries, Inc. of 4540 West 160th Street, Cleveland, Ohio 44135 ("SuperTrapp"), warrants its SuperTrapp muffler against defects in factory materials and workmanship for one year from the date of purchase or until ownership in the muffler is transferred, whichever occurs first, subject to limitations below.

Under this warranty, SuperTrapp will repair or replace defective, covered parts, at option, provide a replacement unit. SuperTrapp makes no warranty with respect to companies of the SuperTrapp muffler not manufactured by SuperTrapp, including but not limited to the following: clamps, nuts, bolts, packing, boots, and hoses. Repair by SuperTrapp or replacement are the exclusive remedies under this written warranty or any implied warranty. SuperTrapp will not pay for the cost of removal or reinstallation of the unit from any vehicle, or for delivery and pick up of the unit. To obtain service under this warranty, the original purchaser must give specific written notice to his or her dealer within fifteen (15) days after discovery of any claimed defect in the unit, and must return such unit to the dealer within a reasonable time thereafter at the cost of the original purchaser.

This limited warranty is the only express warranty applicable to SuperTrapp muffler. Any implied warranty of merchantability of fitness for a particular purpose is limited in duration to the duration of this written warranty. Some states do not allow limitations on how long an implied warranty lasts, so the above limitation may not apply to you.

SuperTrapp shall not be responsible for any consequential, special or incidental damages of any nature, including but not limited to the loss of use of any vehicle on which the unit may be installed and the cost of obtaining another substitute muffler. Some states do not allow the exclusion or limitation of incidental or consequential damages so this limitation or exclusion may not apply to you.

This warranty is valid only if the proper size of the unit is installed, operated and maintained in accordance with factory instructions. This warranty does not cover any damage caused by (i) modification or alteration of the unit; (ii) improper installation, maintenance, operation, or use; (iii) accident; (iv) servicing or repair by anyone other than SuperTrapp or its authorized agents.

This warranty does not cover chrome discoloration.

This warranty gives you specific legal rights, and you may also have other rights which vary from state to state. Outside the United States, a different warranty may apply. For details, please contact your authorized SuperTrapp distributor.

SuperTrapp® Industries, Inc.

4540 W. 160th St. Cleveland, Ohio 44135 (216) 265-8400 fax. (216) 265-0130

e-mail. sales@supertrapp.com | www.supertrapp.com



003-3403 04.24.02



IDSX™ Internal Disc Series

Honda TRX400/450

835-3401 IDSX Slip On Muffler

CAUTION!! PLEASE READ BEFORE PROCEEDING

Failing to properly jet your quad will void any warranty on this product. Re-jetting the carburetor is essential not only to improve performance, but also to ensure durability of your quad. Typically, an exhaust system that is less restrictive than stock will require richer carburetion. Many quads, especially ones manufactured after 1998, come from the factory with lean carburetion due to EPA regulations. Many aftermarket jet kits are available which allow you to properly tune your quad. Additionally, your OEM dealer may have jets that will work adequately for your application. Proper jetting is best performed by a qualified technician. Call your local dealer for recommendations on jetting changes for your quad.

GENERAL TUNING GUIDE

The following will give you a base to work with in understanding how your SuperTrapp® functions in relationship to the following parameters: POWER, SOUND, and JETTING.

Your system was supplied with 12 diffuser discs. On most models, using 9 discs will work fine with stock jetting and air filter. We consider 8 discs the minimum to use; this will flow about the same amount of air as your stock system would in most cases. In many cases, using 10 or more discs will necessitate a jetting change.

EXAMPLE: Let's say you start off with 9 discs and your quad runs fine, but you want more power. By adding discs you do three things: (1) the exhaust tone will get louder, (2) the motor will run leaner (carburetion), and (3) your horsepower and power band will go up. It's the opposite if you take discs out; (1) the exhaust tone will get quieter, (2) the motor will run richer (carburetion), and (3) the horsepower and power band will move down. The secret to performance tuning is knowing how to make parts work together. It is very difficult, even with sophisticated equipment, to determine absolute jetting changes. Temperature, humidity, elevation, engine modifications, etc., all play a role in determining correct jetting. As a rule, any increase in intake and/or exhaust flow will require an increase in fuel.

DISC INSTALLATION

(See Figure 1). For this application, install 9 discs with stock jetting and air filter. Additional discs and/or a free flowing air filter will require richer jetting. Coat the (3) mounting screws with high temperature lube. Install the (3) screws through the closed end cap and disc stack. While holding the muffler body horizontal, insert the entire assembly into the body using the supplied T-handle hex key inserted into one of the screw heads as a handle. Rotate the muffler vertically so the discs drop against the core. Tighten the screws in a cross pattern to approximately 15 in./lbs. of torque. It is essential that they are torqued evenly.

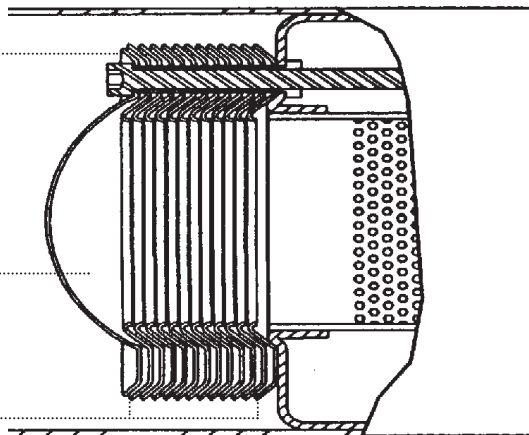
FIGURE 1

Disc Installation

install discs in this direction, with angle of outer lip of the discs pointing towards the end cap, and away from the muffler.

closed end cap

disc stack



END CAP INSTALLATION

Holding the body with the mounting brackets pointing up, install the end cap. The outlet should be pointing down. Align the threaded holes in the cap with the holes in the body. Install the button head screws and star lock washers supplied.

STOCK SYSTEM REMOVAL

- 1 Remove body panels to access exhaust system.
- 2 Loosen clamp holding muffler to head pipe.
- 3 Remove (2) bolts holding muffler to frame.
- 4 Remove muffler.

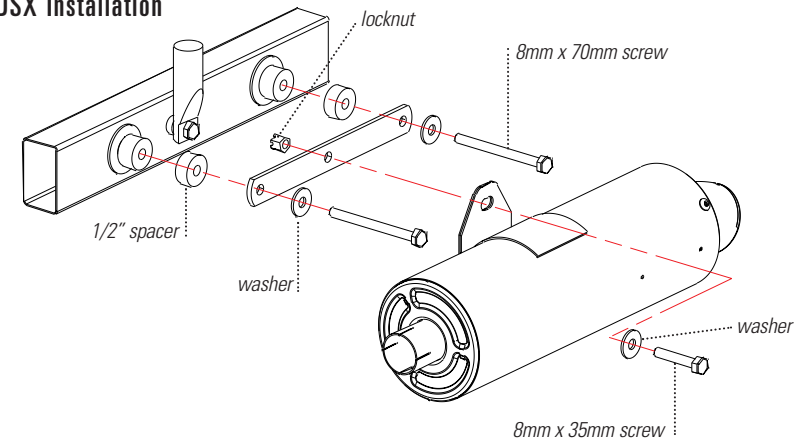
IDSX INSTALLATION

- 1 Install the IDSX mounting bracket to the stock muffler mount points using the bolts, washers, and spacers supplied and tighten. (See Figure 2)
- 2 Slide the T-bolt clamp over the slotted end of the S-bend and slide the S-bend onto the stock head pipe.
- 3 Slide the T-bolt clamp over the inlet of the IDSX muffler and slide the muffler onto the S-bend.
- 4 Align the muffler with the IDSX mounting bracket. Install the bolt, washer, and locknut through the muffler bracket and into the mounting bracket. (See Figure 2)
- 5 Align the muffler and S-bend and tighten all clamps and fasteners.
- 6 Re-install all body panels.

IMPORTANT: After a short test ride, check and retighten all fasteners as necessary.

FIGURE 2

IDSX Installation



CLEANING AND MAINTENANCE

The IDSX system is manufactured from stainless steel. Stainless steel is used for its high strength at high temperatures and resistance to corrosion. Before you run your new SuperTrapp IDSX for the first time, clean all grease, fingerprints, and dirt from the entire system. (A good glass cleaner works well.) A clean, grease-free surface will allow even coloration. After a relatively short time of running, the IDSX will begin to take on a gold tint. The coloration will be relatively even throughout the entire system. The hotter you get the system, the darker it will become. Due to the unique properties of stainless steel, the care of the IDSX is minimal. Although, do not hesitate to use soapy water and a soft cloth to clean the surfaces. Scratches and abrasions can be removed by lightly sanding around the circumference of the parts (not the length) with 600 grit wet/dry sandpaper. A fine Scotch-Brite pad can then be used to remove any heavier sanding marks and restore the original hand buffed finish.