

PARTS INCLUDED

- 1 - Right Side Bracket Assembly
- 1 - Left Side Bracket Assembly
- 2 - Turn Signal Adapters
- 2 - 5/16-18X4" Hex Head Bolts
- 2 - 3/8-16x1-1/2" Button Head Bolts
- 2 - 3/8-16x3/4" Button Head Bolts
- 2 - Inner Mounting Bushing - Thin
- 2 - Inner Mounting Bushing - Thick
- 4 - Outer Mounting Bushing
- 2 - Black Plastic Mount - Thin
- 2 - Black Plastic Mount - Thick

TOOLS REQUIRED

- Ratchet
- #45 Torx Drive Socket
- 1/2" Socket
- 7/32" Allen Socket
- Phillips Screwdriver

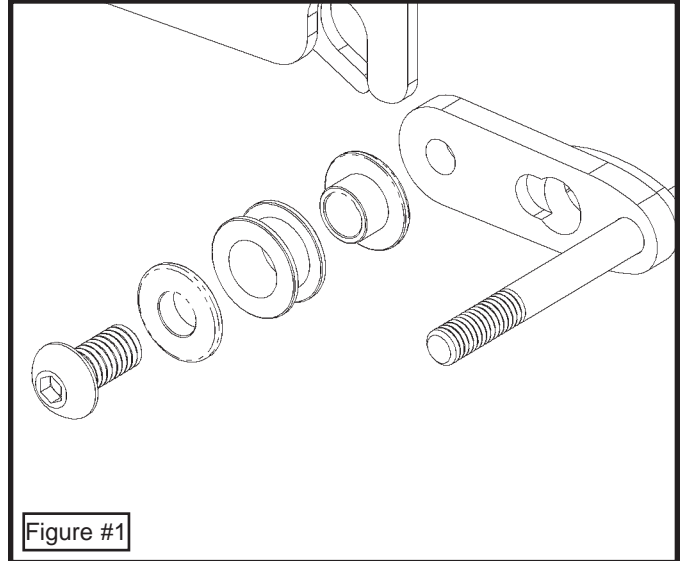
34-5004-01

QUICK DETACH BRACKET KIT

HARLEY-DAVIDSON DYNA
2006-08 (EXCEPT FXDWG)

INSTALLATION INSTRUCTIONS

- 1) Using one supplied 3/8-16x3/4" button head bolt, mount one thin inner bushing, one thick plastic mount and one outer bushing to each turn signal adapter. See Figure #1
- 2) Remove the two screws that secure the tail light lens to the rear fender. Disconnect the left & right turn signal connectors from inside the tail light housing. See Figure #2
- 3) Remove the right side turn signal mounting bolt from inside the rear fender. Remove the turn signal.
- 4) Feed the right side turn signal wire through the hole provided in the turn signal adapter. Mount the turn signal, with adapter, to the right side fender strut using one provided 5/16-18x4" hex head bolt. Tighten bolt to factory specification. See Figure #3
- 5) Remove the middle mounting bolt from the right side fender strut.
- 6) Using one supplied 3/8-16x1-1/2" button head bolt, mount one thick inner bushing, one thin plastic bushing and one outer bushing to the middle mounting point. Tighten bolt to factory specification. See Figure #4
- 7) Repeat steps #3-6 for the left side fender strut.



34-5004-01

QUICK DETACH BRACKET KIT

HARLEY-DAVIDSON DYNA
2006-08 (EXCEPT FXDWG)

OPERATION

- 1) Slide the front "forks" on the brackets into the thin plastic mounts on the motorcycle.
- 2) Lift up on the slider bracket lever and slide the bracket in order to expose the rear mounting slot. See Figure #5
- 3) Lower the brackets down onto the rear thick plastic mounts and push the slider brackets over the mount until the lever locks into place.

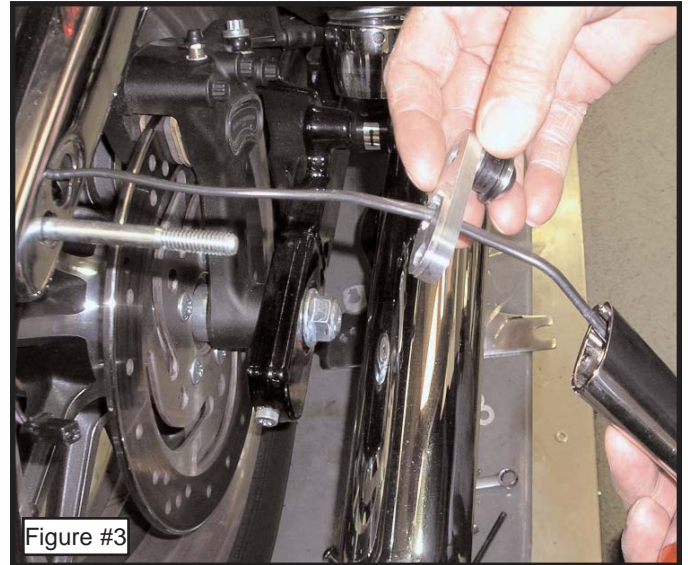


Figure #3

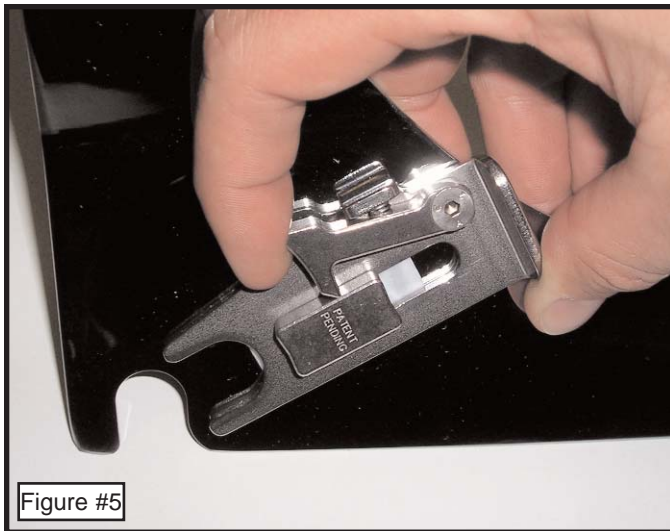


Figure #5



Figure #4

Jardine

PERFORMANCE PRODUCTS

Terms & Conditions

Returns: All requests for product returns must be made within 30 days from date of purchase. The return has to have a Return Material Authorization (RMA) number from Jardine and must include a copy of the original purchase invoice. Customer pays for the return freight and Jardine will exchange product or process a credit to your account. All returns must be in the original packaging to be eligible for any credit or exchange. Any return sent C.O.D. will not be accepted. Special order sales are final and may not be returned.

All warranty claims must be made through your point of purchase.

Limited Warranty: Jardine's warranty extends to the original purchaser only and a copy of the sales receipt must be provided. Keep your receipts. Jardine products are warranted against defective materials and workmanship for a period of 1 year from date of original customer purchase and to the original customer only. Proof of purchase is required. Any non-defective, unopened, unused, not installed item may be returned within seven working days of receipt and will be subject to a 15% restocking / repackaging fee. Bluing and / or discoloration of chrome exhaust systems / products are not covered. Contact the Jardine Customer Service Department directly at 216-265-8400 to obtain a Return Material Authorization (RMA) number prior to return of product. Authorized product will be repaired or returned at Jardine's discretion. Jardine is not responsible for any other expenses, including labor for removal of defective parts incurred by the customer under the terms of this warranty. Nor shall Jardine be responsible for any damages whether consequential, special, contingent or otherwise, or expenses or injury arising from the use of Jardine products. A detailed copy of Sale Terms, Conditions and Warranty information is available at request.

Jardine and Jardine Performance Products are registered trademarks of SuperTrapp Industries, Inc. and may not be used without consent from SuperTrapp Industries, Inc. SuperTrapp Industries, Inc. retains all marketing rights to its products and trademarks.

Jardine Performance Products is manufactured by SuperTrapp Industries, Inc. in Cleveland, OH. Our exhausts, highway bars, backrests, fender kits & accessories for V-Twin, Metric, Sport & Dirt applications are made in the U.S.A. Jardine has been manufacturing performance products since 1959.

E: Jardine@SuperTrapp.com

www.JardineProducts.com

TECH: (216) 265-8400

REV: A 9-12-13