



PARTS INCLUDED

Ref.	Part Number	Description	Qty
1)	00-200-01105	Aluminum Muffler Assembly	1
2)	00-200-01106	Slip-on Tube Assembly	1
3)	04-18-41817	Inner Mounting Spacer (Large)	1
4)	04-18-42590	Outer Mounting Spacer (Small)	1
5)	01-5210125070-27	M10-1.25x70mm Hex Flange Head Cap Screw	1
6)	07-41-40004	Short Swivel Spring	1

08-50-44353 REV. B

19-3018-123-02

SLIP-ON EXHAUST, SS/ALUMINUM

KAWASAKI NINJA 250
2008

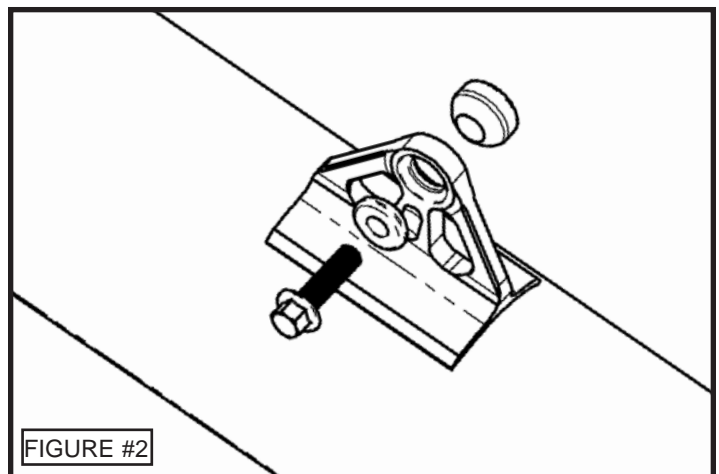
TOOLS REQUIRED

Ref.	Description
1)	3/8" Drive Ratchet
2)	3" Extension
3)	12mm Socket

Ref.	Description
4)	14mm Socket
5)	5mm Allen Wrench
6)	High-Temp Silicone sealer

INSTALLATION INSTRUCTIONS

- 1) Loosen the clamp behind the heat shield.
- 2) Remove the 5mm allen bolts for the front of the heat shield. (Figure #1)
- 3) With the heat shield removed, loosen the 12mm bolt at the base of the muffler assembly.
- 4) Remove muffler mounting bolt from stock peg mount. Retain the stock nut as it will be reused with the new system.
- 5) Remove the stock muffler assembly.
- 6) Apply High-Temp silicone sealer to the base of the Slip-on tube. Then slide the Slip-on tube over the stock headpipe.
- 7) Install the new muffler over the slip-on tube. Connect the two using the supplied swivel spring.
- 8) Bolt the muffler to the bike using the supplied bolt, with the smaller spacer mounted to the outside of the muffler bracket and the large spacer to the inside of the muffler bracket. Then screw the bolt into the stock nut. (Figure #2)



Jardine

PERFORMANCE PRODUCTS

Terms & Conditions

Returns: All requests for product returns must be made within 30 days from date of purchase. The return has to have a Return Material Authorization (RMA) number from Jardine and must include a copy of the original purchase invoice. Customer pays for the return freight and Jardine will exchange product or process a credit to your account. All returns must be in the original packaging to be eligible for any credit or exchange. Any return sent C.O.D. will not be accepted. Special order sales are final and may not be returned.

All warranty claims must be made through your point of purchase.

Limited Warranty: Jardine's warranty extends to the original purchaser only and a copy of the sales receipt must be provided. Keep your receipts. Jardine products are warranted against defective materials and workmanship for a period of 1 year from date of original customer purchase and to the original customer only. Proof of purchase is required. Any non-defective, unopened, unused, not installed item may be returned within seven working days of receipt and will be subject to a 15% restocking / repackaging fee. Bluing and / or discoloration of chrome exhaust systems / products are not covered. Contact the Jardine Customer Service Department directly at 216-265-8400 to obtain a Return Material Authorization (RMA) number prior to return of product. Authorized product will be repaired or returned at Jardine's discretion. Jardine is not responsible for any other expenses, including labor for removal of defective parts incurred by the customer under the terms of this warranty. Nor shall Jardine be responsible for any damages whether consequential, special, contingent or otherwise, or expenses or injury arising from the use of Jardine products. A detailed copy of Sale Terms, Conditions and Warranty information is available at request.

Jardine and Jardine Performance Products are registered trademarks of SuperTrapp Industries, Inc. and may not be used without consent from SuperTrapp Industries, Inc. SuperTrapp Industries, Inc. retains all marketing rights to its products and trademarks.

Jardine Performance Products is manufactured by SuperTrapp Industries, Inc. in Cleveland, OH. Our exhausts, highway bars, backrests, fender kits & accessories for V-Twin, Metric, Sport & Dirt applications are made in the U.S.A. Jardine has been manufacturing performance products since 1959.

E: Jardine@SuperTrapp.com

www.JardineProducts.com

TECH: (216) 265-8400

REV: A 9-12-13