

USE AND WARRANTY DISCLAIMER

SuperTrapp Industries, Inc. of 4540 W. 160th Street, Cleveland, Ohio 44135 (SuperTrapp), warrants its SuperTrapp products against defects in factory materials and workmanship for one year from the date of purchase or until ownership in the product is transferred, whichever occurs first, subject to limitations below.

Under this warranty, SuperTrapp will repair or replace defective, covered parts, at option, or provide a replacement unit. SuperTrapp makes no warranty with respect to components of the SuperTrapp product not manufactured by SuperTrapp, including, but not limited to the following: clamps, nuts, bolts, packing, boots and hoses. Repair by SuperTrapp or replacement are the exclusive remedies under this written warranty or any implied warranty. SuperTrapp will not pay for the cost of removal or re-installation of the unit from any vehicle or for delivery and pick up of the unit. To obtain service under this warranty, the original purchaser must give specific written notice to his or her dealer within fifteen (15) days after discovery of any claimed defect in the unit, and must return such unit to the dealer within a reasonable time thereafter at the cost of the original purchaser.

This limited warranty is the only express warranty applicable to SuperTrapp product. Any implied warranty of merchantability or fitness for a particular purpose is limited in duration to the duration of this written warranty. Some states do not allow limitations on how long an implied warranty lasts, so the above limitation may not apply to you.

SuperTrapp shall not be responsible for any consequential, special or incidental damages of any nature including but not limited to the loss of use of any vehicle on which the unit may be installed and the cost of obtaining another substitute product. Some states do not allow the exclusion or limitation of incidental or consequential damages so this limitation or exclusion may not apply to you.

This warranty is valid only if proper size of the unit is installed, operated and maintained in accordance with factory instructions. This warranty does not cover any damage caused by (i) modification or alteration of the unit; (ii) improper installation, maintenance, operation or use; (iii) accident; (iv) servicing or repair by anyone other than SuperTrapp or its authorized agents.

CAUTION!: Warranty does not cover chrome discoloration. You can minimize this problem by thoroughly cleaning and polishing the system before initial start-up, being sure the fuel mixture is not too lean, and preventing long periods of engine idle.

This warranty gives you specific legal rights and you may also have other rights which vary from state to state. Outside the United States, a different warranty may apply. For details, please contact your authorized SuperTrapp distributor.

Since 1975, SuperTrapp has built a reputation on innovation and technical superiority. SuperTrapp® R&D is constantly designing, testing and improving; providing you with the latest in state of the art performance engineering. SuperTrapp® products are absolutely the best performance items available. They will provide years of trouble-free service.

SuperTrapp® Industries, Inc.
4540 W. 160th St. Cleveland, OH 44135
Phone: (216) 265-8400 fax: (216) 265-0130



003-4348 03.19.07



Installation Instructions



Yamaha 350 Bruin

136-4351 MudSlinger Slip-on Muffler

CAUTION!! PLEASE READ BEFORE PROCEEDING.

FAILING TO PROPERLY TUNE YOUR QUAD WILL VOID ANY WARRANTY ON THIS PRODUCT. Re-tuning the fuel system is essential not only to improve performance, but also to ensure durability of your quad. Typically, an exhaust system that is less restrictive than stock will require a richer fuel mixture. Many quads, especially ones manufactured after 1998, come from the factory with a lean air/fuel mixture due to EPA regulations. Many aftermarket products are available which allow you to properly tune your quad. Additionally, your OEM dealer will have products that will work adequately for your application. Proper tuning is best performed by a qualified technician. Call your local dealer for recommendations for your specific application.

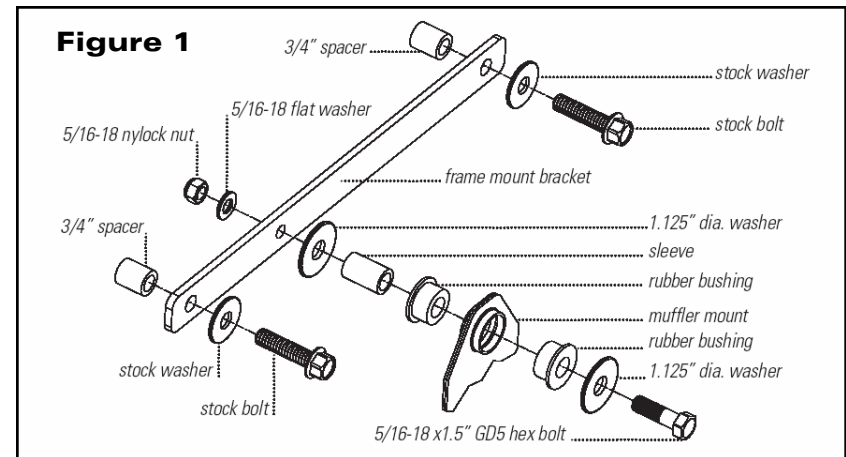
STOCK SYSTEM REMOVAL:

- 1) Remove body panels to access exhaust system.
- 2) Loosen clamp holding muffler to head pipe.
- 3) Remove the bolts holding the muffler to the frame. (Retain bolts for installation)
- 4) Remove muffler.

MUDSLINGER INSTALLATION:

- 1) Mount the muffler mount bracket to the frame using the factory muffler mount bolts, factory washers, and the 3/4" spacers supplied in the hardware kit. **(See Figure 1)**
- 2) Slide the T-bolt clamp over the slotted end of the S-bend and slide the S-bend onto the stock head pipe.
- 3) Install the rubber bushings and sleeve into the muffler mount. **(See Figure 1)**
- 4) Slide the T-bolt clamp over the inlet of the MudSlinger muffler and slide the muffler onto the S-bend.
- 5) Align the muffler mount with the frame mount bracket and install the bolt, washers, and nut supplied in the hardware kit. ***DO NOT TIGHTEN*** **(See Figure 1)**
- 6) Align the muffler and S-bend and tighten all fasteners and clamps starting at the muffler mount working forward.
- 7) Reinstall all body panels.

IMPORTANT: After a short test ride, check and retighten all fasteners as necessary.



CLEANING & MAINTENANCE

The MudSlinger system is manufactured from stainless steel and aluminum. Stainless steel is used for its high strength at high temperatures and resistance to corrosion. The aluminum is used for its weight and strength. Before you run your new SuperTrapp MudSlinger for the first time, clean all grease, fingerprints, and dirt from the entire system. (A good glass cleaner works well.) A clean, grease-free surface will allow even coloration. Over time, the MudSlinger will begin to take on a gold tint. The coloration will be relatively even throughout the entire system. The hotter you get the system, the darker it will become. Due to the unique properties of these materials, the care of the MudSlinger is minimal. The following instructions should be followed to maintain your MudSlinger muffler:

- ◆ ALL CLEANING MUST BE DONE WHEN THE MUFFLER IS COOL!
- ◆ Rinse all heavy dirt and debris off of the entire muffler after each ride and before washing. DO NOT spray water directly into the outlet of the muffler.
- ◆ Use soapy water and a soft cloth to clean all surfaces. Scrub the end cap with a medium nylon brush to remove deeply embedded dirt and stains.
- ◆ Use a commercially available stainless polish to remove scratches and abrasions from the muffler body. DO NOT use polish on the black ring as it will damage this surface.