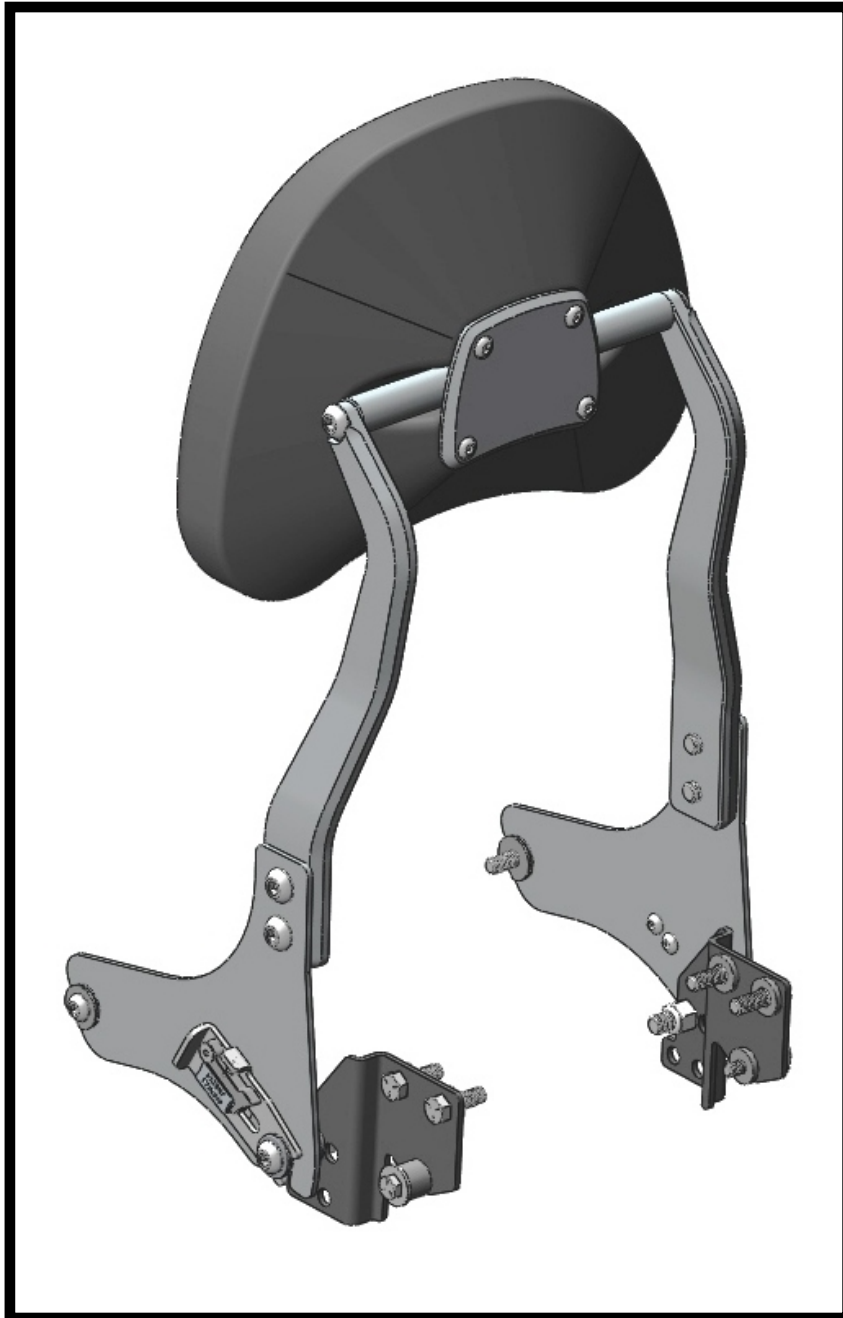


PARTS INCLUDED

- 1 - Backrest Assembly
- 1 - Right Side Bracket Assembly
- 1 - Left Side Bracket Assembly
- 1 - Adapter Bracket, Left
- 1 - Adapter Bracket, Right
- 6 - 3/8"x1/8" Mounting Spacer
- 2 - 1/4"x1/8" Mounting Spacer
- 2 - 1/4"x9/16" Mounting Spacer
- 2 - 5/16" Mounting Sleeve
- 2 - Inner Mounting Bushing - Thick
- 2 - Outer Mounting Bushing - Thin
- 2 - Black Plastic Mount - Notched
- 2 - Black Plastic Mount - Thick
- 4 - Notched Washer
- 4 - M10-1.5x20mm Button Head Bolt
- 2 - 3/8-16x2" Button Head Bolt
- 2 - 5/16-18x1" Button Head Bolt
- 4 - 5/16-18x1" Hex Head Bolt
- 2 - 1/4-20x1-1/4" Hex Head Bolt
- 2 - 1/4-20x7/8" Hex Head Bolt
- 2 - 3/8-16 Hex Nylock Nut
- 2 - 3/8" Flat Washer

TOOLS REQUIRED

- Ratchet
- 7/16" Socket
- 1/2" Socket
- 3/16" Allen Socket
- 7/32" Allen Socket
- 6mm Allen Socket
- 9/16" Wrench



NOTE: For FLHTC models, 1996 and earlier FLHT models, and any model equipped with a Tour Pak; An FLHR-style replacement license plate bracket (Harley-Davidson part #47440-92), will need to be installed after luggage rack is removed.

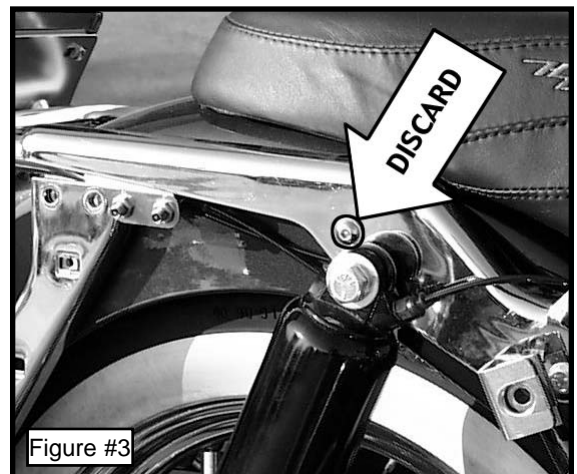
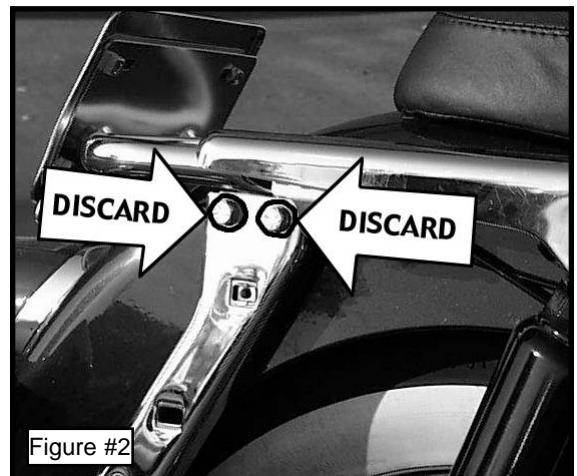
34-5306-01

QUICK DETACH BACKREST KIT

HARLEY-DAVIDSON FL TOURING MODELS
1997-08 (EXCEPT FLHTC/I & FLHTCUI)

INSTALLATION INSTRUCTIONS

- 1) Remove the left & right saddlebags.
- 2) Remove and discard the rear saddlebag mount bolt. Retain the washer. See Figure #1
- 3) Remove and discard the two indicated bolts in Figure #2.
- 4) Remove and discard the fender strut bolt directly behind the upper rear shock mount. See Figure #3.
- 5) Remove and retain the front saddlebag mounting bolt on the right side of the motorcycle. Remove the bracket.
- 6) Remove the right side fender strut cover in order to expose the air fitting bracket.
- 7) Remove the air fittings from the mounting bracket. Retain the mounting nuts.
- 8) Remove and retain the two bolts securing the air fitting mounting bracket to the fender strut. Remove the bracket.
- 9) Reinstall the air fitting bracket bolts to the fender strut. Tighten bolts to 19 lb-ft. See Figure #4.
- 10) Reinstall the right side fender strut cover. Using the original bolt, reinstall the front saddlebag mounting bracket. Tighten bolt to 10 lb-ft. See Figure #5.
- 11) Place two supplied $\frac{3}{8}$ "x $\frac{1}{8}$ " spacers under the two upper mounting holes on the right side adapter bracket and loosely install the bracket to the saddlebag support bracket using two $\frac{5}{16}$ -18x1" hex head bolts. Do not fully tighten yet. See Figure #6 & Diagram #1.



34-5306-01

QUICK DETACH BACKREST KIT

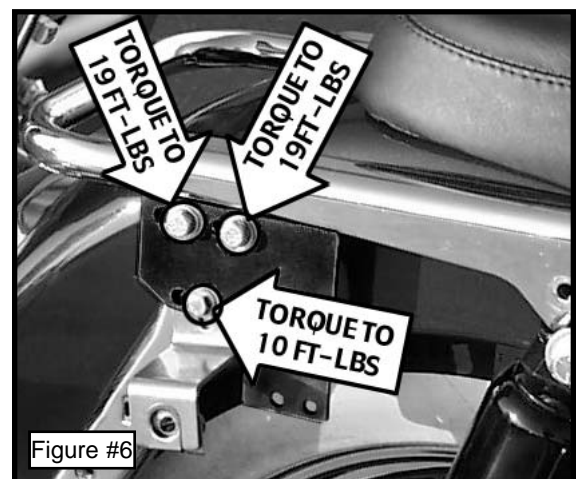
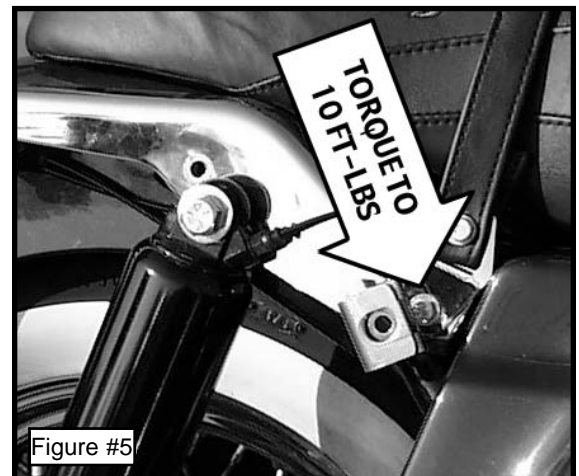
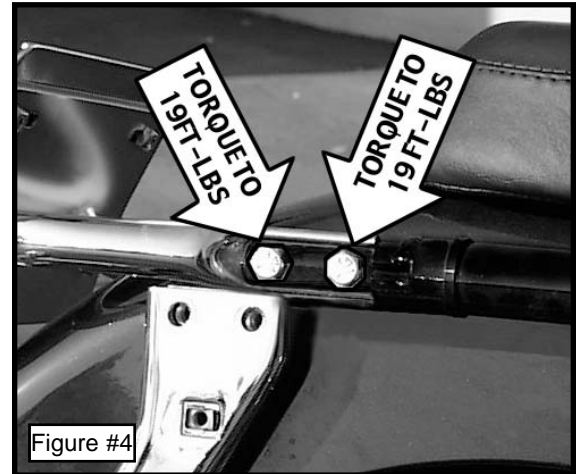
HARLEY-DAVIDSON FL TOURING MODELS
1997-08 (EXCEPT FLHTC/I & FLHTCUI)

- 12) Place one supplied 1/4"x1/8" spacer under the lower mounting hole. Follow directions below per your model motorcycle. Tighten all mounting hardware to specs shown in Figure #6.

FLHR, FLHT, FLTR: Place the rear saddlebag mounting bracket against the adapter bracket and secure using the washer removed in step #2 and one supplied 1/4 20x7/8" hex head bolt. See Figure #6 & Diagram #1.

FLHRC, FLHRS: Place one supplied 1/4"x9/16" spacer between the rear saddlebag mounting bracket and the adapter bracket. Secure using the washer removed in step #2 and one supplied 1/4-20x1-1/2" hex head bolt. See Figure #6 & Diagram #1.

- 13) Mount the air fittings to the two lower available mounting holes in the adapter bracket. Tighten nuts to 8 lb-ft.
- 14) Mount the rear backrest mount assembly to the adapter bracket. Use one of the following supplied parts: 3/8-16x2" button head bolt, outer mounting bushing (thin), black plastic mount (thick), inner mounting bushing (thick), 3/8"x1/8" spacer, 3/8" flat washer, 3/8" nylock hex nut. See Diagram #1.
- 1994-96 models:** Mount to the rear hole in the adapter bracket.
- 1997-06 models:** Mount to the front hole in the adapter bracket.
- 15) Mount the front backrest mount assembly directly behind the upper rear shock mount. Use the following supplied parts: 5/16"-18x1" button head bolt, notched flat washer (qty. 2), black plastic mount (notched), 5/16" mounting sleeve. See Figure #7 & Diagram #2.



34-5306-01

QUICK DETACH BACKREST KIT

HARLEY-DAVIDSON FL TOURING MODELS
1997-08 (EXCEPT FLHTC/I & FLHTCUI)

- 16) Repeat steps for the left side mounting assembly.
- 17) Loosely install the quick detach brackets to the backrest assembly. When installed, the quick release assembly on the brackets should be facing the motorcycle.
- 18) Slide the front "forks" on the brackets into the thin plastic mounts on the motorcycle.
- 19) Lift up on the slider bracket lever and slide the bracket in order to expose the rear mounting slot. See Figure #8.
- 20) Lower the brackets down onto the rear thick plastic mounts and push the slider brackets over the mount until the lever locks into place.
- 21) Fully tighten the four bolts securing the brackets to the backrest assembly.

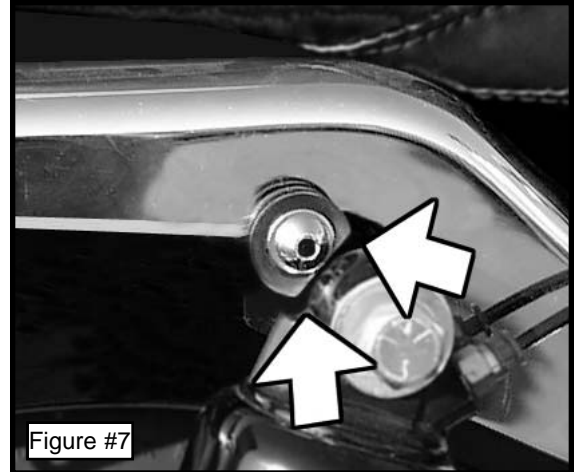


Figure #7

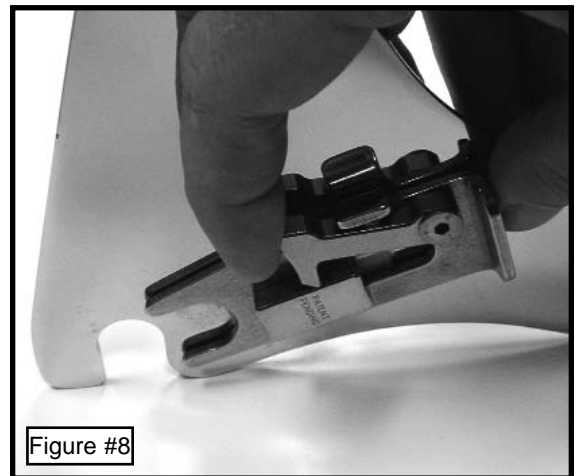


Figure #8

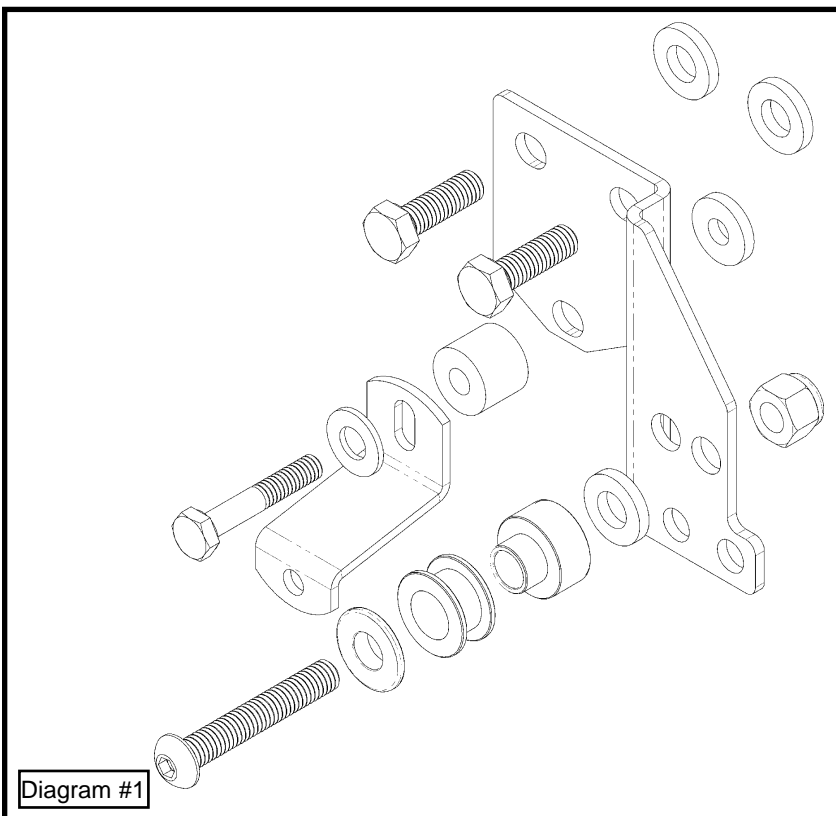


Diagram #1

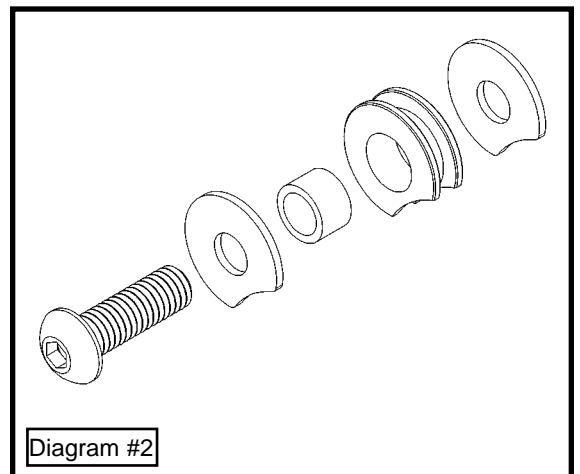


Diagram #2

Jardine

PERFORMANCE PRODUCTS

Terms & Conditions

Returns: All requests for product returns must be made within 30 days from date of purchase. The return has to have a Return Material Authorization (RMA) number from Jardine and must include a copy of the original purchase invoice. Customer pays for the return freight and Jardine will exchange product or process a credit to your account. All returns must be in the original packaging to be eligible for any credit or exchange. Any return sent C.O.D. will not be accepted. Special order sales are final and may not be returned.

All warranty claims must be made through your point of purchase.

Limited Warranty: Jardine's warranty extends to the original purchaser only and a copy of the sales receipt must be provided. Keep your receipts. Jardine products are warranted against defective materials and workmanship for a period of 1 year from date of original customer purchase and to the original customer only. Proof of purchase is required. Any non-defective, unopened, unused, not installed item may be returned within seven working days of receipt and will be subject to a 15% restocking / repackaging fee. Bluing and / or discoloration of chrome exhaust systems / products are not covered. Contact the Jardine Customer Service Department directly at 216-265-8400 to obtain a Return Material Authorization (RMA) number prior to return of product. Authorized product will be repaired or returned at Jardine's discretion. Jardine is not responsible for any other expenses, including labor for removal of defective parts incurred by the customer under the terms of this warranty. Nor shall Jardine be responsible for any damages whether consequential, special, contingent or otherwise, or expenses or injury arising from the use of Jardine products. A detailed copy of Sale Terms, Conditions and Warranty information is available at request.

Jardine and Jardine Performance Products are registered trademarks of SuperTrapp Industries, Inc. and may not be used without consent from SuperTrapp Industries, Inc. SuperTrapp Industries, Inc. retains all marketing rights to its products and trademarks.

Jardine Performance Products is manufactured by SuperTrapp Industries, Inc. in Cleveland, OH. Our exhausts, highway bars, backrests, fender kits & accessories for V-Twin, Metric, Sport & Dirt applications are made in the U.S.A. Jardine has been manufacturing performance products since 1959.

E: Jardine@SuperTrapp.com

www.JardineProducts.com

TECH: (216) 265-8400

REV: A 9-12-13