

CAUTION! Warranty does not cover chrome discoloration. You can minimize this problem by thoroughly cleaning and polishing the system before initial start-up, being sure the carburetion jetting is not too lean, and preventing long periods of engine idle.

ACCESSORIES & REPLACEMENT PARTS

When ordering accessories or replacement parts you may need the part number of this silencer. Please record the part number and date of manufacture here.

Part No.	Date of Manufacture
Mikuni (Pat) Core with Silent Sport packing	100-7857
Fiberglass Repack Kit (2 per muffler)	400-4020
Tapered End Cap	108-7257
Turndown End Cap	108-8022
Fishtail End Cap	108-8021

CUSTOMER SERVICE

Call Dealership or Point of Purchase in which the exhaust was purchased for questions on returns, repairs, or fit and finish of SuperTrapp® products.

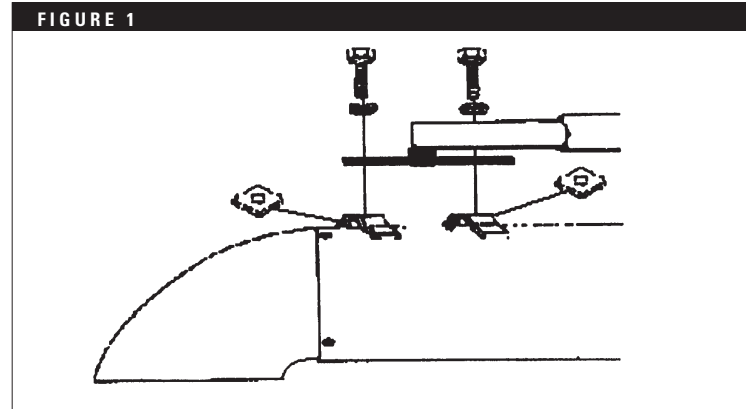
Call SuperTrapp® Customer Service for technical questions between 8am-5pm Eastern Time, (216) 265-8400, or by fax, (216) 265-0130.

Since 1975, SuperTrapp® has built a reputation on innovation and technical superiority. SuperTrapp® R&D is constantly designing, testing and improving; providing you with the latest in state-of-the-art performance engineering. Kerker® Chrome Slip On Touring Mufflers are the culmination of hundreds of hours of street, track and dyno- development. It will provide you with unmatched performance and lasting, trouble-free service.

SuperTrapp® Industries, Inc.
 4540 W. 160th St. Cleveland, Ohio 44135 (216) 265-8400 fax. (216) 265-0130
 e-mail. sales@supertrapp.com | www.supertrapp.com



003-7801 12.17.01



CAUTION! Warranty does not cover chrome discoloration. You can minimize this problem by thoroughly cleaning and polishing the system before initial start-up, being sure the carburetion jetting is not too lean, and preventing long periods of engine idle.

ACCESSORIES & REPLACEMENT PARTS

When ordering accessories or replacement parts you may need the part number of this silencer. Please record the part number and date of manufacture here.

Part No.	Date of Manufacture
Mikuni (Pat) Core with Silent Sport packing	100-7857
Fiberglass Repack Kit (2 per muffler)	400-4020
Tapered End Cap	108-7257
Turndown End Cap	108-8022
Fishtail End Cap	108-8021

CUSTOMER SERVICE

Call Dealership or Point of Purchase in which the exhaust was purchased for questions on returns, repairs, or fit and finish of SuperTrapp® products.

Call SuperTrapp® Customer Service for technical questions between 8am-5pm Eastern Time, (216) 265-8400, or by fax, (216) 265-0130.

Since 1975, SuperTrapp® has built a reputation on innovation and technical superiority. SuperTrapp® R&D is constantly designing, testing and improving; providing you with the latest in state-of-the-art performance engineering. Kerker® Chrome Slip On Touring Mufflers are the culmination of hundreds of hours of street, track and dyno- development. It will provide you with unmatched performance and lasting, trouble-free service.

SuperTrapp® Industries, Inc.
 4540 W. 160th St. Cleveland, Ohio 44135 (216) 265-8400 fax. (216) 265-0130
 e-mail. sales@supertrapp.com | www.supertrapp.com



003-7801 12.17.01



Kerker® Slip On Touring Mufflers Installation Instructions

HARLEY-DAVIDSON FLH/FLT MODELS '85-94

128-78040 Slip Ons with Mikuni (Pat) Core

128-78010 Slip Ons with Standard Core

HARLEY-DAVIDSON FLH/FLT MODELS '95 & LATER

128-78045 Slip Ons with Mikuni (Pat) Core

128-78020 Slip Ons with Standard Core

WARNING!: These Slip Ons are not complete without two of the following end caps:

Chrome Tapered End Cap 108-7257

Chrome Fishtail End Cap 108-8021

Chrome Turndown End Cap 108-8022

STOCK SYSTEM REMOVAL

1. Remove saddlebags to gain access to muffler mounting bolts.
2. Remove inlet clamps bolt and two mounting bolts (each side).
3. Remove mufflers.

KERKER INSTALLATION

1. Slide inlet clamps onto muffler inlets. (For pre 1995 models, use stock clamp and seal; for 1995 and later models, use supplied clamp and no seal).
2. End Cap Installation:
 - A. Remove End Cap screws from mufflers.
 - B. Insert End Cap, lining up the screw holes
 - C. Re-install and tighten End Cap screws.
3. Install mufflers onto headpipes, line up mounting bracket using supplied 5/16" - 18 x 5/8" bolts, lockwashers and square nuts and mount to stock bracket (see Fig. 1).
4. Tighten clamps
5. Install saddlebags.

NOTE: Turndown End Caps can be rotated to face in three different directions. Choose the look that's best for you.



Kerker® Slip On Touring Mufflers Installation Instructions

HARLEY-DAVIDSON FLH/FLT MODELS '85-94

128-78040 Slip Ons with Mikuni (Pat) Core

128-78010 Slip Ons with Standard Core

HARLEY-DAVIDSON FLH/FLT MODELS '95 & LATER

128-78045 Slip Ons with Mikuni (Pat) Core

128-78020 Slip Ons with Standard Core

WARNING!: These Slip Ons are not complete without two of the following end caps:

Chrome Tapered End Cap 108-7257

Chrome Fishtail End Cap 108-8021

Chrome Turndown End Cap 108-8022

STOCK SYSTEM REMOVAL

1. Remove saddlebags to gain access to muffler mounting bolts.
2. Remove inlet clamps bolt and two mounting bolts (each side).
3. Remove mufflers.

KERKER INSTALLATION

1. Slide inlet clamps onto muffler inlets. (For pre 1995 models, use stock clamp and seal; for 1995 and later models, use supplied clamp and no seal).
2. End Cap Installation:
 - A. Remove End Cap screws from mufflers.
 - B. Insert End Cap, lining up the screw holes
 - C. Re-install and tighten End Cap screws.
3. Install mufflers onto headpipes, line up mounting bracket using supplied 5/16" - 18 x 5/8" bolts, lockwashers and square nuts and mount to stock bracket (see Fig. 1).
4. Tighten clamps
5. Install saddlebags.

NOTE: Turndown End Caps can be rotated to face in three different directions. Choose the look that's best for you.