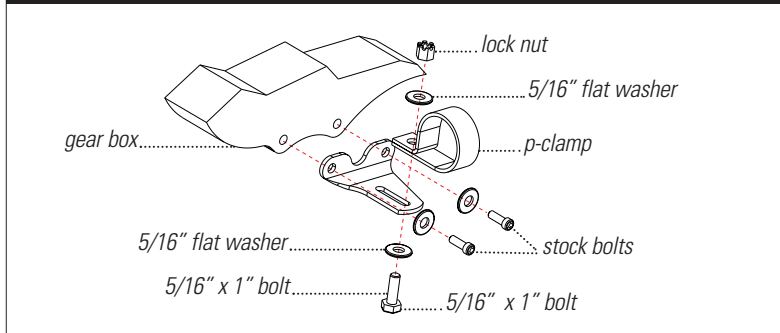


FIGURE 2

SUPERTRAPP INSTALLATION

NOTE: Start with right side.

1. Remove two lower gear box cover hex head screws and install bracket using stock hex bolts and washers (see Fig. 2). Clamp will be mounted later.
2. Install stock flanges using stock retaining rings.
3. Install SuperTrapp heatshields using SuperTrapp hose clamps, both supplied.
4. Inspect exhaust gaskets and replace if necessary. Install headpipes into exhaust ports using stock nuts finger tight.
5. Install heavy duty P-clamp, supplied, onto lower headpipe (see Fig. 2). Install 5/16" x 1" bolt with 5/16" washer and lock nut, all supplied. **DO NOT TIGHTEN.**
6. Install T-bolt clamp, supplied, onto right side (muffler is marked with the number 027-7080) muffler inlet and mount muffler to headpipe and muffler bracket. Use 5/16" x 1" bolt rear muffler mount and 5/16" x 1-1/4" bolt with spacer on front mount. **DO NOT TIGHTEN.**
7. On the left side, remove stock shifter rod and set aside.

REPLACING SHIFT SHAFT

1. Install original jam nut and Heim joint on SuperTrapp shifter rod.
2. Install shift shaft onto transmission shift lever using 5/16" flat washer and 5/16-24 x 1" bolt. Tighten and adjust to manufacturers specs.
3. Install 5/16-24 jam nut on bolt. Tighten to manufacturers specs.
4. Be sure to check shaft clearance.

MOUNTING LEFT SIDE EXHAUST PIPE

1. Slide clamp onto slotted end of pipe and slide onto rear cylinder spigot. Snug clamp, but **DO NOT TIGHTEN.**
2. Slide clamp onto muffler marked with the number 027-7079 and slide onto left exhaust pipe.
3. Install stock hardware into muffler mounting tabs using 5/16" lock washers (supplied).
4. Check clearance on system and tighten system starting at the exhaust ports, then tighten gear box mount and clamp, muffler inlet clamp, silencer mounting bracket and heatshields.
5. Re-install floorboard and tighten to manufacturers specs.
6. Re-install passenger footpeg and tighten to manufacturers specs.
7. Re-check all bolts after engine has been up to full operating temperature.

IMPORTANT! Please thoroughly check entire exhaust system to make sure that no hoses or wiring come in contact with exhaust system. Re-route any such components away from exhaust to prevent component damage or failure. Such damage could result in personal injury if not properly taken care of.

DISC & END CAP INSTALLATION

To ease installation, first insert the 3 screws (with a small amount of Hi-Temp Lube) through the end cap and disc stack. Insert the entire assembly into the muffler using the supplied T-handle Hex Key inserted into one of the screw heads as a handle. Tighten screws in a cross pattern to approximately 45 in-lbs. It is essential that they are torqued evenly. Always use Hi-Temp Lube when installing or changing discs

Insert Tapered end caps into mufflers and install button head screws and lock washers using Hi-Temp Lube and Hex Key provided.

GENERAL TUNING

NOTE: Increasing the number of discs creates a larger exhaust outlet area and, therefore causes less back-pressure, but more noise. Conversely, removing discs increases back pressure, but reduces sound level.

A stock engine with stock jetting will not benefit from using more than 12 discs. Using more than 12 discs will require richer jetting to prevent a lean condition which will cause chrome discoloration. Best all around performance will be achieved with an aftermarket jet recalibration kit and air filter assembly, and 18-22 discs.

With the internal disc design, there is a practical limit to the number of discs that can be used. The reason is, as discs are added, the combined gap area of all the discs will eventually exceed the flow area between the outside of the discs and the inside of the muffler shell. Using more than 22 discs will not decrease backpressure further because the flow is limited by the gap around the discs.

ACCESSORIES & REPLACEMENT PARTS

When ordering accessories or replacement parts you may need the part number of this silencer. Please record the part number and date of manufacture here.

Part No. _____ Date of Manufacture _____

Fiberglass Repack Kit (2 per muffler)	400-4020
Hi Temp Lube 3-pack	090-2622
3" Disc 6-Pack	304-6506
3" Disc 12-Pack	304-6512
3" 3-Bolt Open End Cap	304-3034
Tapered End Cap	308-3340
Slash Cut End Cap	308-3560
2-1/2" Turndown End Cap	308-3608
3-1/2" Turndown End Cap	308-3635
Small Fishtail End Cap	308-3740
Large Fishtail End Cap	308-3750

CUSTOMER SERVICE

Call Dealership or Point of Purchase in which the exhaust was purchased for questions on returns, repairs, or fit and finish of SuperTrapp® products.

Call SuperTrapp® Customer Service for technical questions between 8am-5pm Eastern Time, (216) 265-8400, or by fax, (216) 265-0130.

Since 1975, SuperTrapp has built a reputation on innovation and technical superiority. SuperTrapp R&D is constantly designing, testing and improving; providing you with the latest in state-of-the-art performance engineering. This SuperTrapp 3" Chrome 2:2 Exhaust System is the culmination of hundreds of hours of street, track and dyno- development. It will provide you with unmatched performance and lasting, trouble-free service.

SuperTrapp® Industries, Inc.
4540 W. 160th St. Cleveland, Ohio 44135 (216) 265-8400 fax. (216) 265-0130
e-mail. sales@supertrapp.com | www.supertrapp.com



003-7082 03.15.02



SuperTrapp 3" Chrome 2:2 System Installation Instructions

HARLEY-DAVIDSON FLST/FXST MODELS
628-78082 3" Chrome Internal Disc 2:2 Crossover System

STOCK SYSTEM REMOVAL

1. Remove right side front footboard and left side rear footpeg.
2. Loosen headpipe heatshields and remove exhaust flange nuts.
3. Remove four bolts that mount mufflers to frame bracket.
4. Remove complete exhaust system. Save stock hardware.
5. Remove exhaust flanges from headpipes by removing retaining rings.

MUFFLER BRACKET INSTALLATION

Remove stock muffler mounting bracket (see figure 1A) and replace with SuperTrapp muffler mounting bracket, (see figure 1B) marked with the number 029-7282, using 3/8" bolts, flat washers and lock washers. Do the same on left side of bike using bracket number 029-7082.

