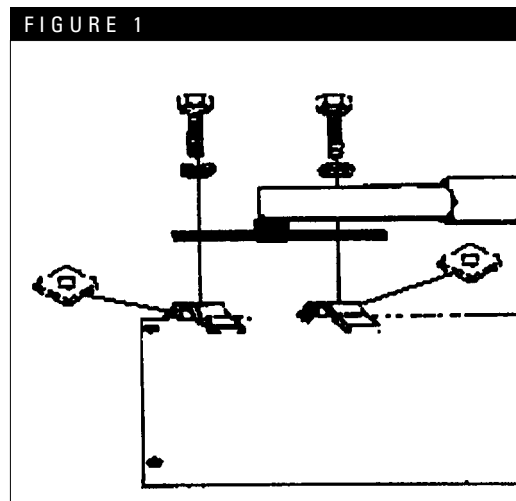


## STOCK SYSTEM REMOVAL

- 1 Remove saddle bags to gain access to muffler mounting bolts.
- 2 Remove inlet clamp bolt and 2 mounting bolts (each side).
- 3 Remove mufflers.

## SUPERTRAPP INSTALLATION

- 1 Slide inlet clamps onto muffler inlets.
- 2 Install silencers onto headpipes, line up mounting bracket using supplied 5/16"-18 x 5/8" bolts, lockwashers and square nuts and mount to stock bracket (see Figure 1).
- 3 Tighten clamps.
- 4 Install saddlebags.
- 5 Install discs and end caps on mufflers. NOTE: Liberally coat screws with Hi-Temp Lube (provided) before installing. Do not over tighten screws! Tighten until discs are "seated", then tighten another 1/4 turn, or torque to 32 in./lbs. (not ft./lbs.)



NOTE: 8 discs max per muffler on stock fuel injected models.

**CAUTION!** Warranty does not cover chrome discoloration. You can minimize this problem by thoroughly cleaning and polishing the system before initial start-up, being sure the carburetion jetting is not too lean, and preventing long periods of stationary idle.

## ACCESSORIES & REPLACEMENT PARTS

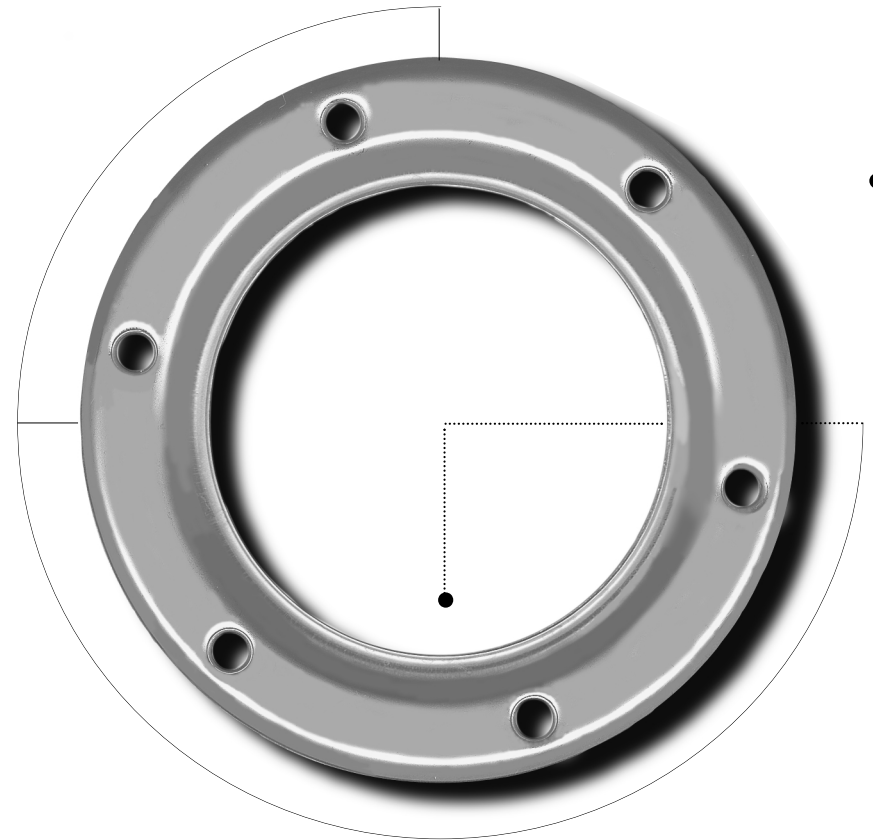
4" Disc 6-Pack	404-6506
4" Disc 12-Pack	404-6512
Screw 6-Pack with High-Temp Lube (holds up to 20 discs)	404-7206
Screw 6-Pack with High-Temp Lube (holds 15 to 34 discs)	404-7306
High-Temp Lube 3-pack	090-2622
4" 6-bolt Closed End Cap	406-3046
4" 6-bolt Open End Cap (Competition Use Only)	405-3046
Aluminum 6-bolt End Cap with Heatshield	402-3046
Fiberglass Repack Kit (2 per system)	400-4020
Replacement Core with Fiberglass	041-7054
*Straight Chrome Meg Body	027-7053
*Slash Cut Chrome Meg Body	027-7054

\* Factory Order Only

## CUSTOMER SERVICE

Call Dealership or Point of Purchase in which the exhaust was purchased for questions on returns, repairs, or fit and finish of SuperTrapp® products.

Call SuperTrapp® Customer Service for technical questions between 8am-5pm Eastern Time, (216) 265-8400, or by fax, (216) 265-0130.



*Since 1975, SuperTrapp® has built a reputation on innovation and technical superiority. SuperTrapp® R&D is constantly designing, testing and improving, providing you with the latest in state-of-the-art performance engineering. SuperTrapp® exhaust systems are absolutely the best bolt-on performance items available anywhere. They will provide you with unmatched performance and years of trouble-free service.*

SuperTrapp® Industries, Inc.  
4540 W. 160th St. Cleveland, Ohio 44135 (216) 265-8400 fax. (216) 265-0130  
e-mail. [sales@supertrapp.com](mailto:sales@supertrapp.com) | [www.supertrapp.com](http://www.supertrapp.com)



003-7053

**4" External Megaphone Series**

**Harley Davidson FLH/FLT**

728-78053 Straight Cut Megaphone Slip On  
728-78054 Slash Cut Megaphone Slip On

003-7053