

USE AND WARRANTY DISCLAIMER

SuperTrapp Industries, Inc. of 4540 W. 160th Street, Cleveland, Ohio 44135 (SuperTrapp), warrants its SuperTrapp products against defects in factory materials and workmanship for one year from the date of purchase or until ownership in the product is transferred, whichever occurs first, subject to limitations below.

Under this warranty, SuperTrapp will repair or replace defective, covered parts, at option, or provide a replacement unit. SuperTrapp makes no warranty with respect to components of the SuperTrapp product not manufactured by SuperTrapp, including, but not limited to the following: clamps, nuts, bolts, packing, boots and hoses. Repair by SuperTrapp or replacement are the exclusive remedies under this written warranty or any implied warranty. SuperTrapp will not pay for the cost of removal or re-installation of the unit from any vehicle or for delivery and pick up of the unit. To obtain service under this warranty, the original purchaser must give specific written notice to his or her dealer within fifteen (15) days after discovery of any claimed defect in the unit, and must return such unit to the dealer within a reasonable time thereafter at the cost of the original purchaser.

This limited warranty is the only express warranty applicable to SuperTrapp product. Any implied warranty of merchantability or fitness for a particular purpose is limited in duration to the duration of this written warranty. Some states do not allow limitations on how long an implied warranty lasts, so the above limitation may not apply to you.

SuperTrapp shall not be responsible for any consequential, special or incidental damages of any nature including but not limited to the loss of use of any vehicle on which the unit may be installed and the cost of obtaining another substitute product. Some states do not allow the exclusion or limitation of incidental or consequential damages so this limitation or exclusion may not apply to you.

This warranty is valid only if proper size of the unit is installed, operated and maintained in accordance with factory instructions. This warranty does not cover any damage caused by (i) modification or alteration of the unit; (ii) improper installation, maintenance, operation or use; (iii) accident; (iv) servicing or repair by anyone other than SuperTrapp or its authorized agents.

CAUTION! Warranty does not cover chrome discoloration. You can minimize this problem by thoroughly cleaning and polishing the system before initial start-up, being sure the fuel mixture is not too lean, and preventing long periods of engine idle.

This warranty gives you specific legal rights and you may also have other rights which vary from state to state. Outside the United States, a different warranty may apply. For details, please contact your authorized SuperTrapp distributor.

Since 1975, SuperTrapp has built a reputation on innovation and technical superiority. SuperTrapp® R&D is constantly designing, testing and improving; providing you with the latest in state of the art performance engineering. SuperTrapp® products are absolutely the best performance items available. They will provide years of trouble-free service.



SuperTrapp® Industries, Inc.
4540 W. 160th St. Cleveland, OH 44135
Phone: (216) 265-8400 fax: (216) 265-0130
E-mail: sales@SuperTrapp.com www.SuperTrapp.com

003-4454 06.30.08



Installation Instructions

Bill Werner Racing System

815-4454 4" Race System for Yamaha YZ450F



CAUTION! Please Read Before Proceeding

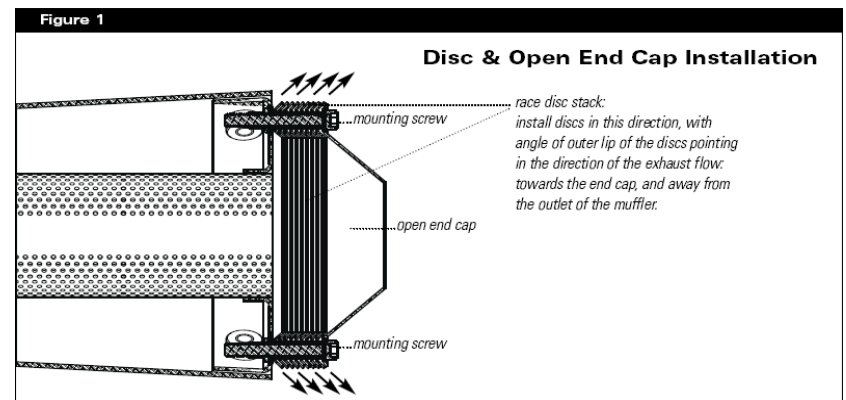
This system was designed for closed-coures competition use only. A closed end cap (included) is required to meet U.S. Forestry spark arrestor requirements.

GENERAL TUNING GUIDE:

Your system was supplied with 22 race discs, a closed end cap, and an open end cap. For race applications, with stock jetting, you will need to install 16 race discs and an open cap. This will yield optimum performance.

DISC INSTALLATION:

1. Stand the muffler on a work surface with the outlet pointing up.
2. Stack (16) discs on top of the heat shield aligning the (6) holes in the discs with each other, the holes in the shield and inserts in the muffler. (NOTE: The discs will lock into each other when the holes are aligned).
3. Place the open end on top of the discs and align the (6) holes in the caps with the holes in the discs.
4. Coat the (6) mounting screws with high temperature lube and insert them through the end cap and disc stack then thread them into the muffler. **DO NOT TIGHTEN.**
5. Tighten the screws in a cross pattern to approximately 15 in/lbs. of torque. It is essential that they are torqued evenly



STOCK SYSTEM REMOVAL:

1. Remove number plate to access exhaust system.
2. Loosen clamp holding the muffler to the head pipe.
3. Remove the 8mm fastener holding the muffler to the frame. **(Retain for new system installation)**
4. Remove the muffler.
5. Loosen the head pipe mount flange nuts and remove the stock head pipe. **(Retain nuts for new system installation)**

INSTALLATION:

1. Install the muffler mount bracket using supplied spacers, lock washers, 6mm screw, and 8mm screw. **(See figure 1)**
2. Re-using stock flange nuts, install new head pipe. **DO NOT TIGHTEN**
3. Slide the T-bolt clamp over the outlet end of the head pipe and slide the S-bend onto the new head pipe.
4. Align the S-bend support bracket with the stock mount hole in the frame and reinstall the stock mount bolt. **DO NOT TIGHTEN**
5. Slide the T-bolt clamp over the inlet of the muffler and the mount clamp over the muffler body.
6. Slide the muffler onto the S-bend, align the body mount clamp with the appropriate hole in the mount bracket, and install supplied washers, large spacers, 8mm bolts, and nut. **(See figure 1)**
7. Align the muffler and S-bend and tighten all clamps and fasteners, starting at the exhaust flange and working back to the muffler.
8. Re-install the number plate

IMPORTANT: After a short test ride, check and retighten all fasteners as necessary.

CLEANING & MAINTENANCE

The SuperTrapp system is manufactured from stainless steel. Stainless steel is used for its high strength at high temperatures and resistance to corrosion. Before you run your new SuperTrapp for the first time, clean all grease, fingerprints, and dirt from the entire system. (A good glass cleaner works well.) A clean, grease-free surface will allow even coloration. After a relatively short time of running, the system will begin to take on a gold tint. The coloration will be relatively even throughout the entire system. The hotter you get the system, the darker it will become.

Due to the unique properties of stainless steel, the care of your SuperTrapp exhaust is minimal. Although, do not hesitate to use soapy water and a soft cloth to clean the surfaces. Scratches and abrasions can be removed by lightly sanding around the circumference of the parts (not the length) with 600 grit wet/dry sandpaper. A fine Scotch-Brite pad can then be used to remove any heavier sanding marks and restore the original hand buffed finish.

REPLACEMENT PARTS:

Race Disc Pack	037-2449
Open End Cap	405-3046
Closed End Cap	406-3046

