

PARTS INCLUDED

Ref.	Part Number	Description	Qty
1)	00-100-00473	Quick Detach Bracket Assembly, Right	1
2)	00-100-00472	Quick Detach Bracket Assembly, Left	1
3)	03-19-41547	Outer Mounting Boss	4
4)	03-19-42705	Inner Mounting Boss, Front	2
5)	03-19-42706	Inner Mounting Boss, Rear	2
6)	06-22-41647	Front Mounting Sleeve, Thin	2
7)	06-22-41646	Rear Mounting Sleeve, Wide	2
8)	01-510812555-SS	Socket Button Head Cap Screw, M8-1.25x55mm, S/S	4

08-50-43707 REV. A

34-2003-01

QUICK DETACH BRACKET KIT

YAMAHA XVS650 V-STAR CLASSIC
2004-10

TOOLS REQUIRED

Ref.	Description
1)	3/8" Drive Ratchet
2)	5mm Allen Socket
3)	6mm Allen Socket
4)	12mm Socket
5)	Torque Wrench

INSTALLATION INSTRUCTIONS

1) Remove the two fender strut mounting bolts from the left side of the rear fender.

2) Install the front and rear mounting hardware as shown. See Figure #1 & 2.

NOTE: The mounting bosses will be set against the fender strut cover.

3) Tighten bolts to factory torque specifications.

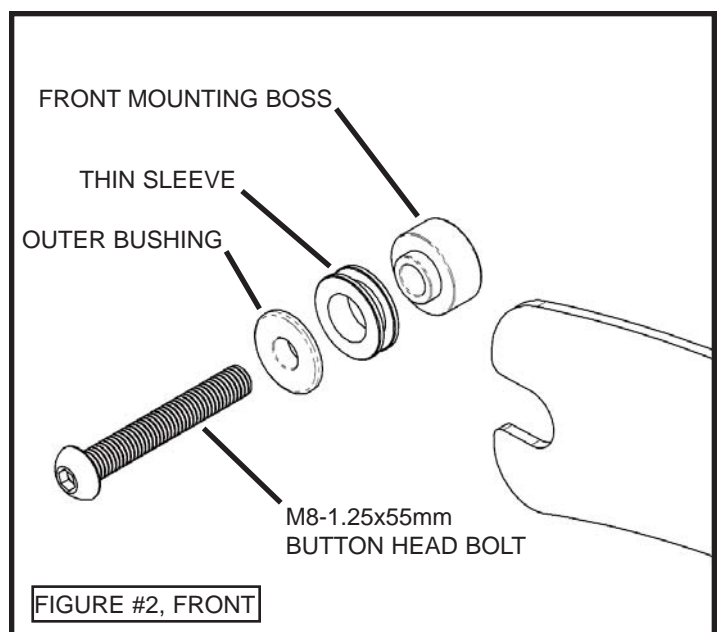
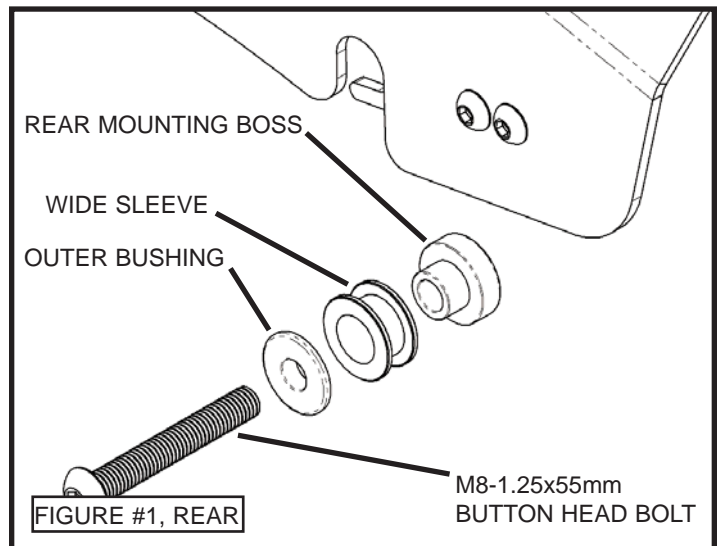
4) Repeat steps #1-3 for the right side mounting hardware.

OPERATION

1) Slide the front "forks" on the brackets into the thin plastic mounts on the motorcycle.

2) Lift up on the slider bracket lever and slide the bracket in order to expose the rear mounting slot.

3) Lower the brackets down onto the rear thick plastic mounts and push the slider brackets over the mount until the lever locks into place.



Jardine

PERFORMANCE PRODUCTS

Terms & Conditions

Returns: All requests for product returns must be made within 30 days from date of purchase. The return has to have a Return Material Authorization (RMA) number from Jardine and must include a copy of the original purchase invoice. Customer pays for the return freight and Jardine will exchange product or process a credit to your account. All returns must be in the original packaging to be eligible for any credit or exchange. Any return sent C.O.D. will not be accepted. Special order sales are final and may not be returned.

All warranty claims must be made through your point of purchase.

Limited Warranty: Jardine's warranty extends to the original purchaser only and a copy of the sales receipt must be provided. Keep your receipts. Jardine products are warranted against defective materials and workmanship for a period of 1 year from date of original customer purchase and to the original customer only. Proof of purchase is required. Any non-defective, unopened, unused, not installed item may be returned within seven working days of receipt and will be subject to a 15% restocking / repackaging fee. Bluing and / or discoloration of chrome exhaust systems / products are not covered. Contact the Jardine Customer Service Department directly at 216-265-8400 to obtain a Return Material Authorization (RMA) number prior to return of product. Authorized product will be repaired or returned at Jardine's discretion. Jardine is not responsible for any other expenses, including labor for removal of defective parts incurred by the customer under the terms of this warranty. Nor shall Jardine be responsible for any damages whether consequential, special, contingent or otherwise, or expenses or injury arising from the use of Jardine products. A detailed copy of Sale Terms, Conditions and Warranty information is available at request.

Jardine and Jardine Performance Products are registered trademarks of SuperTrapp Industries, Inc. and may not be used without consent from SuperTrapp Industries, Inc. SuperTrapp Industries, Inc. retains all marketing rights to its products and trademarks.

Jardine Performance Products is manufactured by SuperTrapp Industries, Inc. in Cleveland, OH. Our exhausts, highway bars, backrests, fender kits & accessories for V-Twin, Metric, Sport & Dirt applications are made in the U.S.A. Jardine has been manufacturing performance products since 1959.

E: Jardine@SuperTrapp.com

www.JardineProducts.com

TECH: (216) 265-8400

REV: A 9-12-13