



Kerker 2:1 SuperMegs

Exhaust System / Installation Instructions

128-71574 / Chrome Finish / Harley-Davidson® FXD

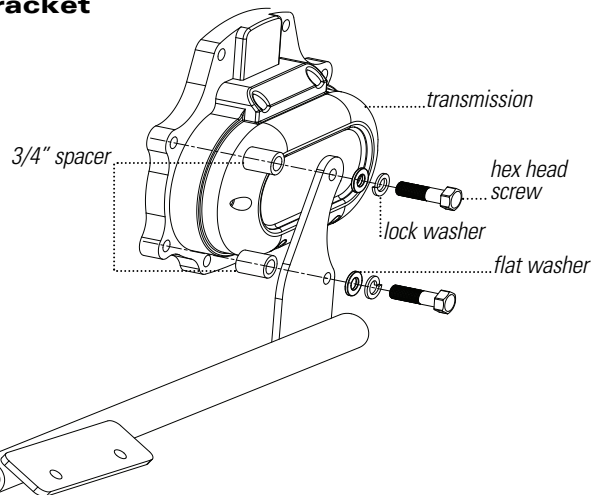
127-71574 / Black Finish / Harley-Davidson® FXD

Stock System Removal

1. Remove the stock exhaust system as described in your owner's manual. Retain the flange nuts for the new system installation. Retain carriage bolt, lock nut, and 2 piece P-clamp for new system installation.
2. Remove the stock snap rings and flanges from the headpipes and retain for the new system installation.
3. Remove the oxygen sensors from the front and rear headpipes and retain for new system installation.
4. Remove the stock exhaust mounting bracket.
5. The exhaust gaskets should be replaced to achieve a proper fitment and seal. Replacement gaskets are available from your Harley-Davidson dealer, part number 65324-83A.

Figure 1

Muffler Support Bracket

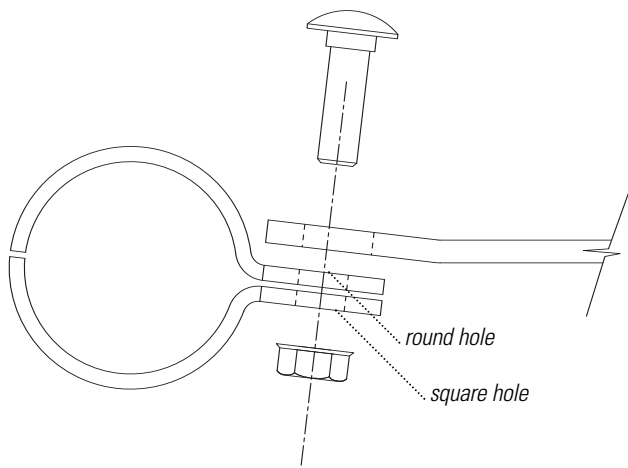


System Installation

1. Remove the two rear transmission housing fasteners. (See Figure 1.)
2. Using new hex head screws, flat washers, lock washers and spacers (supplied), install the new muffler mount support bracket. You **MUST** use the supplied screws. Failure to do so will result in damage to the transmission. Torque the screws to Harley-Davidson specifications. (5/16" = 13-16 ft. lbs.) (1/4" = 7-9 ft. lbs.)
3. Install stock flanges on both headpipes.
4. Apply anti-seize to the threads of the oxygen sensors and install in new headpipes NOTE: VERY IMPORTANT: Apply anti-seize to the threads of the oxygen sensor **ONLY**. Contamination of the sensor probe can adversely affect engine performance.
5. Mount the headpipes using the stock nuts. **DO NOT TIGHTEN**.
6. Align the P-clamp with the stock support bracket mounted under the timing cover and install the stock bolt and lock nut. (See Figure 2.) **DO NOT TIGHTEN**. NOTE: One half of the P-clamp has a round hole. Be sure to mount this half of the P-clamp against the bottom of the frame mount as shown in Figure 2.
7. Slide two T-bolts (supplied) into the slotted bracket on the back of the muffler and slide the T-bolt clamp (supplied) onto the inlet end of the muffler.
8. Slide the muffler onto the outlet end of the headpipe. Align the T-bolts with the holes in the mounting bracket. Install the flat washers and locknuts onto the T-bolts. **DO NOT TIGHTEN**.
9. Align the system and tighten all fasteners and clamps starting at the flange nuts and working back to the muffler. Tighten the P-clamp bolt last.
10. Reconnect oxygen sensors to stock harness.

Figure 2

Mounting the P-Clamp



Heat Shield Installation

1. Slide the hose clamps into the slots on the back of each shield. Orient the clamps to gain the easiest access to tighten them while in position on the headpipe.
2. Install the heat shields on the headpipes and collector. The tabs on the front of the collector shield must fit into the clips on the end of the front and rear shields.
3. Tighten the shields starting with the rear shield, then the collector shield, and finally the front shield. Align the shields as you tighten to minimize the gap between the headpipe and collector shields.

IMPORTANT: CHECK AND RE-TIGHTEN ALL FASTENERS AFTER THE FIRST COUPLE OF RIDES, THEN AT EACH SCHEDULED MAINTENANCE.

Tuning Tips

For maximum performance gains, we suggest using a free-flowing air filter kit with this exhaust system. As always, making performance modifications may affect the fuel delivery system of your motorcycle. It is recommended by SuperTrapp to have your fuel delivery system tuned to ensure maximum performance and reliability. This work should always be performed by a certified technician.

We DO NOT suggest removing the muffler packing material to "get more noise". Removing the packing will result in a loss of power due to the sound waves not being absorbed into the material thus causing a restrictive wave in the core.

Customer Service

Call Dealership or Point of Purchase in which the exhaust was purchased for questions on returns, repairs, or fit and finish of SuperTrapp products.

Call SuperTrapp Customer Service for technical questions between 8am-5pm Eastern Time, (216) 265-8400, or by fax, (216) 265-0130.

Limited Warranty

SuperTrapp Industries, Inc. of 4540 West 160th Street, Cleveland, Ohio 44135 (SuperTrapp), warrants its SuperTrapp products against defects in factory materials and workmanship for one year from the date of purchase or until ownership in the product is transferred, whichever occurs first, subject to limitations below.

Under this warranty, SuperTrapp will repair or replace defective, covered parts, at option, or provide a replacement unit. SuperTrapp makes no warranty with respect to components of the SuperTrapp product not manufactured by SuperTrapp, including but not limited to the following: clamps, nuts, bolts, packing, boots, and hoses. Repair by SuperTrapp or replacement are the exclusive remedies under this written warranty or any implied warranty. SuperTrapp will not pay for the cost of removal or re-installation of the unit from any vehicle or for delivery and pick up of the unit. To obtain service under this warranty, the original purchaser must give specific written notice to his or her dealer within fifteen (15) days after discovery of any claimed defect in the unit, and must return such unit to the dealer within a reasonable time thereafter at the cost of the original purchaser.

This limited warranty is the only express warranty applicable to SuperTrapp product. Any implied warranty of merchantability or fitness for a particular purpose is limited in duration to the duration of this written warranty. Some states do not allow limitations on how long an implied warranty lasts, so the above limitation may not apply to you.

SuperTrapp shall not be responsible for any consequential, special or incidental damages of any nature including but not limited to the loss of use of any vehicle on which the unit may be installed and the cost of obtaining another substitute product. Some states do not allow the exclusion or limitation of incidental or consequential damages so this limitation or exclusion may not apply to you.

This warranty is valid only if the proper size of the unit is installed, operated and maintained in accordance with factory instructions. This warranty does not cover any damage caused by (i) modification or alteration of the unit; (ii) improper installation, maintenance, operation, or use; (iii) accident; (iv) servicing or repair by anyone other than SuperTrapp or its authorized agents.

CAUTION! Warranty does not cover chrome discoloration. You can minimize this problem by thoroughly cleaning and polishing the system before initial start-up, being sure the carburetion jetting is not too lean, and preventing long periods of engine idle.

This warranty gives you specific legal rights and you may also have other rights which vary from state to state. Outside the United States, a different warranty may apply. For details, please contact your authorized SuperTrapp distributor.

Since 1975, SuperTrapp has built a reputation on innovation and technical superiority. SuperTrapp R&D is constantly designing, testing and improving; providing you with the latest in state-of-the-art performance engineering. SuperTrapp 2:1 SuperMegs are the culmination of hundreds of hours of street, track and dyno-development. They will provide you with unmatched performance and lasting, trouble-free service.



SuperTrapp Industries, Inc.
4540 W. 160th St. Cleveland, Ohio 44135
Phone: (216) 265-8400 Fax: (216) 265-0130
Email: sales@supertrapp.com
www.supertrapp.com

003-7574 12.14.06