

USE AND WARRANTY DISCLAIMER

SuperTrapp Industries, Inc. of 4540 W. 160th Street, Cleveland, Ohio 44135 (SuperTrapp), warrants its SuperTrapp products against defects in factory materials and workmanship for one year from the date of purchase or until ownership in the product is transferred, whichever occurs first, subject to limitations below.

Under this warranty, SuperTrapp will repair or replace defective, covered parts, at option, or provide a replacement unit. SuperTrapp makes no warranty with respect to components of the SuperTrapp product not manufactured by SuperTrapp, including, but not limited to the following: clamps, nuts, bolts, packing, boots and hoses. Repair by SuperTrapp or replacement are the exclusive remedies under this written warranty or any implied warranty. SuperTrapp will not pay for the cost of removal or re-installation of the unit from any vehicle or for delivery and pick up of the unit. To obtain service under this warranty, the original purchaser must give specific written notice to his or her dealer within fifteen (15) days after discovery of any claimed defect in the unit, and must return such unit to the dealer within a reasonable time thereafter at the cost of the original purchaser.

This limited warranty is the only express warranty applicable to SuperTrapp product. Any implied warranty of merchantability or fitness for a particular purpose is limited in duration to the duration of this written warranty. Some states do not allow limitations on how long an implied warranty lasts, so the above limitation may not apply to you.

SuperTrapp shall not be responsible for any consequential, special or incidental damages of any nature including but not limited to the loss of use of any vehicle on which the unit may be installed and the cost of obtaining another substitute product. Some states do not allow the exclusion or limitation of incidental or consequential damages so this limitation or exclusion may not apply to you.

This warranty is valid only if proper size of the unit is installed, operated and maintained in accordance with factory instructions. This warranty does not cover any damage caused by (i) modification or alteration of the unit; (ii) improper installation, maintenance, operation or use; (iii) accident; (iv) servicing or repair by anyone other than SuperTrapp or its authorized agents.

CAUTION! Warranty does not cover chrome discoloration. You can minimize this problem by thoroughly cleaning and polishing the system before initial start-up, being sure the fuel mixture is not too lean, and preventing long periods of engine idle.

This warranty gives you specific legal rights and you may also have other rights which vary from state to state. Outside the United States, a different warranty may apply. For details, please contact your authorized SuperTrapp distributor.

Since 1975, SuperTrapp has built a reputation on innovation and technical superiority. SuperTrapp® R&D is constantly designing, testing and improving; providing you with the latest in state of the art performance engineering. SuperTrapp® products are absolutely the best performance items available. They will provide years of trouble-free service.

SuperTrapp® Industries, Inc.
4540 W. 160th St. Cleveland, OH 44135
Phone: (216) 265-8400 fax: (216)265-0130



003- 7170 10.09.08



Installation Instructions

SuperTrapp 3" Chrome 2:1 System

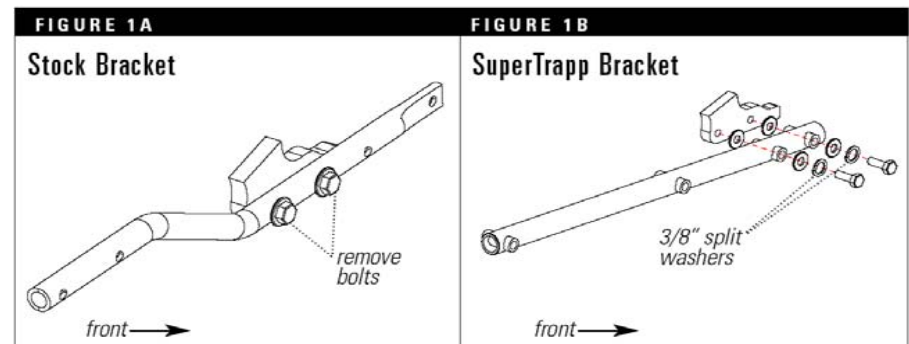
628-71570 FOR HARLEY-DAVIDSON FLST/FXST SOFTAIL MODELS, With or Without Oxygen sensors

STOCK SYSTEM REMOVAL

1. Remove right side front floorboard. (IF EQUIPED)
2. Loosen head pipe heat shields and remove exhaust flange nuts.
3. On 2007 and later models disconnect electrical connections to O2 sensors.
4. Remove four bolts that mount the mufflers to the frame bracket.
5. Remove complete exhaust system. Save stock hardware.
6. Remove exhaust flanges from head pipes by removing retaining rings.
7. Remove Oxygen sensors from head pipes.
8. Remove hose clamps from front and rear heatshields. Save for new system installation.

MUFFLER BRACKET INSTALLATION

1. Remove stock muffler mounting bracket (see figure 1A).
2. Install Supertrapp muffler mounting bracket, (see figure 1B) using 3/8"x2-1/4" bolts, 3/8 flat washers, and 3/8 lock washers sup-



PRE-INSTALLATION NOTES

You must use the cone shaped exhaust gaskets, part number 65324-83A, available from your Harley-Davidson dealer. Do not use the flat type gaskets with our head pipes.

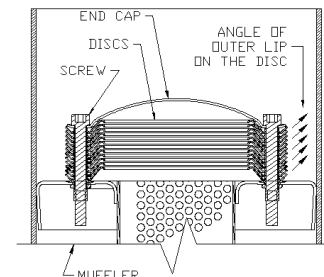
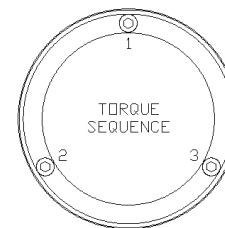
SYSTEM INSTALLATION:

1. Remove the two lower center gear box cover screws and install bracket using stock screws and washers (see figure 2). Clamp will be mounted later.
2. Install stock flanges using stock retaining rings.
3. **1986-2006 models:** Apply anti-seize to the threads of the oxygen sensor port plugs, supplied. Install the plugs into the head pipes and tighten.
2007-later models: Apply anti-seize to the threads of the oxygen sensors and install in new head pipes. (***VERY IMPORTANT*** Apply anti-seize to the threads of the oxygen sensor **ONLY**. Contamination of the sensor probe can adversely affect engine performance.)
4. Install head pipe into exhaust ports using recommended cone shaped gaskets and stock flange nuts, **DO NOT TIGHTEN**.
5. Install heavy duty P-clamp, supplied, onto lower head pipe (see figure 2). Install 5/16" x 1" bolt with 5/16" washer and lock nut, all supplied. **DO NOT TIGHTEN**.
6. Install T-bolt clamp, supplied, onto muffler inlet and mount muffler to head pipe.
7. Align muffler with mount bracket and fasten. Use (1) 5/16" x 1" bolt, flat washer, and lock washer in rear muffler mount and (1) 5/16" x 1-1/4" bolt, flat washer, and lock washer with spacer on front mount. **DO NOT TIGHTEN**.
8. Check clearance on system and tighten system starting at the exhaust ports, then tighten gear box mount and clamp. Tighten muffler inlet clamp, and muffler mounting bracket.
9. Install new heat shields utilizing stock hose clamps and two Supertrapp hose clamps.
10. Re-install floorboard and tighten to manufacturers specs.
11. On 2007 and later models: Reconnect oxygen sensors to wiring harnesses.
12. Re-check all bolts after engine has been up to full operating temperature.

IMPORTANT: CHECK AND RETIGHTEN ALL FASTENERS AFTER THE FIRST COUPLE OF RIDES, THEN AT EACH SCHEDULED MAINTENANCE.

END CAP & DISC INSTALLATION:

1. Stack the recommended amount of discs with the end cap together aligning the three screw holes. Orient the discs so the flat surface of the discs will be against the core with the outer lip angled away from the core. (SEE DIAGRAM)
2. Insert the (3) screws through the end cap and disc stack and apply the high temp lube, supplied, to the threaded end of each screw.
3. Insert the entire assembly into the muffler using the supplied T-handle hex key, inserted into one screw head, as a handle. Align the (3) screws with the threaded inserts in the core. (SEE DIAGRAM)
4. Tighten the screws evenly in a cross pattern, SEE DIAGRAM. Discs should be tightened to 15-25 in/lbs or once the screw head contacts the end cap tighten 2 full turns.



TUNING TIPS:

For maximum performance gains, we suggest using a free-flowing air filter kit with this exhaust system. As always, making performance modifications may affect the fuel delivery system of your motorcycle. It is recommended by Supertrapp to have your fuel delivery system tuned to ensure maximum performance and reliability. This work should always be performed by a certified technician.

Your Supertrapp system is supplied with 18 discs per muffler. We suggest using 12 discs with the closed end cap.

